

# 7.5" Touch Screen Operator Interface



**Features:**

- 65,536 Colors, Clear, Bright, High-Resolution TFT Display
- Energy Efficient LED Display
- Choice Analog Touch Panel for Improved Visibility and Precise Part Placement
- Supports Up to Two Protocol Drivers Simultaneously
- High Speed Application Transfer, 10 Times Faster than Conventional Operator Interfaces
- 10/100 Base-T Ethernet, USB, Serial Communication, and SD Card Interfaces
- High-Definition Part Images and Multi-Language Support

**Specifications**

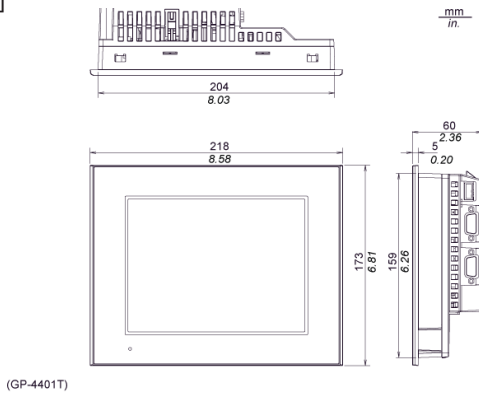
Model	PFXGP4401TAD
Graphics Display Resolution	640 x 480 pixels (VGA)
Display Type and Size	TFT Color LCD (7.5 inch)
Display Colors	65,536 Colors (No blink)/16,384 Colors (Blink)
Display Area	W153.7 x H115.8 mm [W6.05 x H4.56 in.]
Touch Screen	Resistive film analog 1024 x 1024 resolution
USB	USB Type-A (2.0) x 1 , USB mini-B (2.0) x1
SD Card	SD Card slot x 1 (maximum 32 GB SD/SDHC Card)
Serial	COM1: RS-232C Asynchronous Transmission Data Length: 7 or 8 bit, Parity: None, Odd or Even, Stop Bit: 1 or 2 bit, Data Transmission Speed: 2,400 bps to 115.2 kbps, Connector: D-Sub9 (plug)  COM 2: RS-422/485 Asynchronous Transmission Data Length: 7 or 8 bit Parity: None, Odd or Even Stop Bit: 1 or 2 bit Data Transmission Speed: 2,400 bps to 115.2 kbps, 187.5kbps (MPI) Connector: D-Sub9 (plug)
Ethernet	Ethernet IEEE802.3/IEEE802.3u, 10BASE-T/100BASE-TX
Backlight	White LED (User nonreplaceable parts. When replacement is required, contact your local distributor.
Brightness and Contrast Controls	16 levels of adjustment available via touch panel or the software
Programming Memory	32MB FEPRAM (GP-Pro EX V3.0 or later)
Backup Memory	512kb SRAM with battery backup

**General Specifications**

Model	PFXGP4401TAD
Input Voltage	Rated DC24V (Limits DC19.2 to 28.8V)
Power Consumption	12 W or less
Ambient Operating Temp.	0°C (32°F) to 55°C (131°F)
Storage Temperature	-20 to 60 °C [-4 to 140 °F]
Altitude Endurance	800hPa to 1114hPa (2000 meters or lower)
Certifications	CE, UL Listed Cl 1 Div 2, RoHS
Humidity - Ambient/Storage	10 to 90 % RH (Wet bulb temperature: 39 °C [102.2 °F] or less - no condensation.)
Noise Immunity	Noise Voltage: 1,000 Vp-p, Pulse Duration: 1 μs, Rise Time: 1 ns (via noise simulator)
Cooling Method	Natural air circulation
Electrostatic Discharge Immunity	Contact Discharge Method: 6 kV (IEC/EN61000-4-2 Level 3)
Vibration Resistance	IEC/EN61131-2 compliant, 5 to 9 Hz Single amplitude 3.5 mm [0.14 in.], 9 to 150 Hz Fixed acceleration: 9.8 m/s², X, Y, Z directions for 10 cycles (approx. 100 min)
Shock during operation	IEC/EN 61131-2 compliant 147 m/s², X, Y, Z directions for 3 times
Rating	Equivalent to IP65f, Nema #250 Type 4x/13 (Equivalent to NEMA 12 with the addition of "Oil or Spraying and Splashing") when properly installed in an enclosure
Weight	1.2 kg [2.6 lb] or less (display unit only)
External Dimensions	W218 x H174 x D60 mm [W8.58 x H6.85 x D2.36 in.]
Warranty	Two-year standard (maximum 4 years)

### GP-4401T - External Dimensions

Unit: mm [in.]



### Ordering Information

Part Number	Description
PFXGP4401TAD	<b>GP-4401T:</b> 7.5" TFT Color Touchscreen (Analog), VGA, 2x Serial, Ethernet, 2x USB, SD, 24VDC, UL/CE

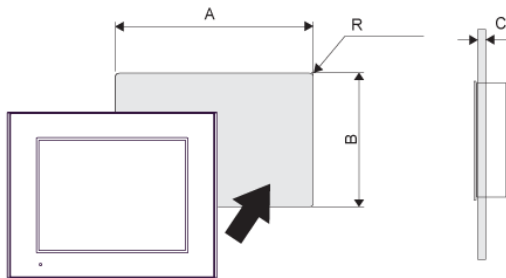
### Optional Items

Part Number	Product Name
PFXZCBSD4GC41	SD Memory Card (4 GB, Class 4)
PFXZCBSDS71	Touch Screen Protection Sheet (Qty 5) for 7.5" GP4000
GP-Pro EX (EX-ED-Vx)	Screen and Logic Development Software (ver 3.0 or newer)
PLC Cables & Accessories	See AGP3000 Connectivity Document

Caution: Before operating any of these products, please be sure to read all related manuals thoroughly.  
 - All product names used in this document are trademarks or registered trademarks of their respective companies.  
 - All information contained in this document is subject to change without notice.

### GP-4401T - Cut-Out Dimensions

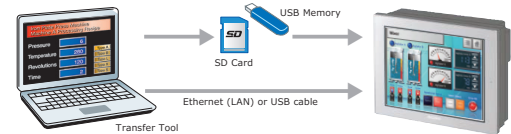
Unit: mm [in.]



A	B	C	R
204.5 mm (+1, -0 mm) (8.05 in. [+0.04, -0 in.])	159.5 mm (+1, -0 mm) (6.28 in. [+0.04, -0 in.])	1.6...5 mm (0.06...0.2 in.)	3 mm (0.12 in.) maximum

### Easily Transfer Data

Screen data can be updated by using the data transfer tool, even without a software license.



The data transfer tool can be downloaded for free from the Web  
<http://www.profaceamerica.com>

### Connectivity

#### Ethernet Multi-Link function

The Ethernet Multi-Link function allows you to easily add a GP as a sub-display to the facility without changing any settings of the control device.

