

3.5" Touch Screen Operator Interface



**TouchPanel
Operation**



3.5-inch TFT Color
Touch Screen Operator Interface

GP-420xT

Model: PFXGP4201TAD, PFXGP4203TAD


DC 24V


QVGA

3.5-inch

Ethernet

Powered by
Screen Editor
GP-Pro EX





Features:

- 65,536 Colors, Clear, Bright, High-Resolution TFT Display
- Energy Efficient LED Display
- No Grid Analog Touch Panel for Improved Visibility and Precise Part Placement
- Supports Up to Four Protocol Drivers Simultaneously
- High Speed Application Transfer, 10 Times Faster than Conventional Operator Interfaces
- 10/100 Base-T Ethernet, USB, and Serial Communication Interfaces
- High-Definition Part Images and Multi-Language Support

Specifications

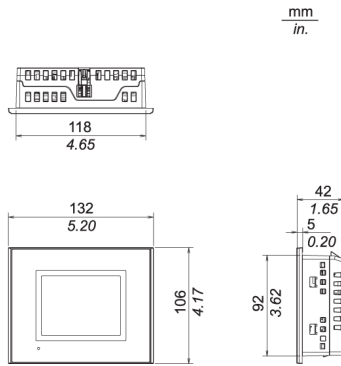
| | | |
|----------------------------------|--|--|
| Model | PFXGP4201TAD | PFXGP4203TAD |
| Graphics Display Resolution | 320 x 240 pixels (QVGA) | |
| Display Type and Size | TFT Color LCD (3.5 inch) | |
| Display Colors | 65,536 Colors (No blink)/16,384 Colors (Blink) | |
| Display Area | W70.56 x H52.92 mm [W2.78 x H2.08 in.] | |
| Touch Screen | Resistive film analog 1024 x 1024 resolution | |
| USB | USB Type-A (2.0) x 1 , USB mini-B (2.0) x1 | |
| Serial | RS-232C/422/485 Asynchronous Transmission, Data Length: 7 or 8 bit, Parity: None, Even or Odd, Stop Bit: 1 or 2 bit, Data Transmission Speed: 2,400 bps to 115.2 kbps, 187.5 kbps(MPI), Connector: D-Sub9 (plug) | RS-485 (isolation) Asynchronous Transmission, Data Length: 7 or 8 bit, Parity: None, Even or Odd, Stop Bit: 1 or 2 bit, Data Transmission Speed: 2,400 bps to 115.2 kbps, 187.5 kbps (MPI), Connector: D-Sub9 (socket) |
| Ethernet | Ethernet IEEE802.3u/IEEE802.3u, 10BASE-T/100BASE-TX | |
| Backlight | White LED (User nonreplaceable parts. When replacement is required, contact your local distributor. | |
| Brightness and Contrast Controls | 16 levels of adjustment available via touch panel (or the software) | |
| Programming Memory | 16MB FEPROM (GP-Pro EX V3.0 or later) | |
| Backup Memory | 512kb SRAM with battery backup | |

General Specifications

| | |
|----------------------------------|---|
| Model | PFXGP4201TAD, PFXGP4203TAD |
| Input Voltage | Rated DC24V (Limits DC19.2 to 28.8V) |
| Power Consumption | 9.6 W or less |
| Ambient Operating Temp. | 0°C (32°F) to 50°C (122°F) |
| Storage Temperature | -20 to 60 °C [-4 to 140 °F] |
| Altitude Endurance | 800hPa to 1114hPa (2000 meters or lower) |
| Certifications | CE, UL Listed Cl 1 Div 2, RoHS |
| Humidity - Ambient/Storage | 10 to 90 % RH (Wet bulb temperature: 39 °C [102.2 °F] or less - no condensation.) |
| Noise Immunity | Noise Voltage: 1,000 Vp-p, Pulse Duration: 1 μs, Rise Time: 1 ns (via noise simulator) |
| Cooling Method | Natural air circulation |
| Electrostatic Discharge Immunity | Contact Discharge Method: 6 kV (IEC/EN61000-4-2 Level 3) |
| Vibration Resistance | IEC/EN61131-2 compliant, 5 to 9 Hz Single amplitude 3.5 mm [0.14 in.], 9 to 150 Hz Fixed acceleration: 9.8 m/s², X, Y, Z directions for 10 cycles (approx. 100 min) |
| Shock during operation | IEC/EN 61131-2 compliant 147 m/s², X, Y, Z directions for 3 times |
| Rating | Equivalent to IP65f, Nema #250 Type 4x/13 (Equivalent to NEMA 12 with the addition of "Oil or Spraying and Splashing") when properly installed in an enclosure |
| Weight | 0.4 kg [0.9 lb] or less (display unit only) |
| External Dimensions | W132 x H106 x D42 mm [W5.2 x H4.17 x D1.65 in.] |
| Warranty | Two-year standard (maximum 4 years) |

GP-4201T - External Dimensions

Unit: mm [in.]



Ordering Information

| Part Number | Description |
|--------------|--|
| PFXGP4201TAD | GP4201T: 3.5" TFT Color Touchscreen (Analog), QVGA, 1x Serial, Ethernet, 2x USB, 24VDC, UL/CE |
| PFXGP4203TAD | GP4203T: 3.5" TFT Color Touchscreen (Analog), QVGA, 1x Serial (MPI), Ethernet, 2x USB, 24VDC, UL/CE |

Optional Items

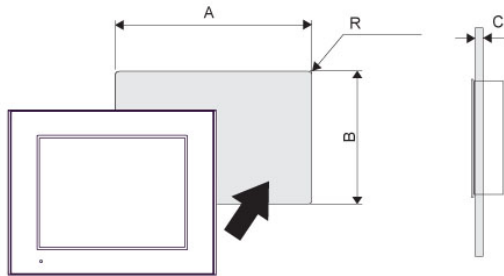
| Part Number | Product Name |
|--------------------------|--|
| PFXZCBWG41 | Replacement Gasket for 3.5" GP4000 (Qty 1) |
| CA6-DFS4-01 | 3.5-inch Screen Protection Sheet |
| GP-Pro EX (EX-ED-Vx) | Screen and Logic Development Software (ver 3.0 or newer) |
| PLC Cables & Accessories | See AGP3000 Connectivity Document |

Caution: Before operating any of these products, please be sure to read all related manuals thoroughly.

- All product names used in this document are trademarks or registered trademarks of their respective companies.
- All information contained in this document is subject to change without notice.

GP-4201T - Cut-Out Dimensions

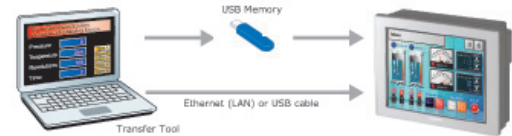
Unit: mm [in.]



| A | B | C | R |
|--|---|----------------------------|-------------------------|
| 118.5 mm (+1, -0 mm) (4.67 in. [+0.04, -0 in.]) | 92.5 mm (+1, -0 mm) (3.64 in. [+0.04, -0 in.]) | 1.6...5 mm (0.06...0.2 in) | 3 mm (0.12 in.) maximum |

Easily Transfer Data

Screen data can be updated by using the data transfer tool, even without a software license.

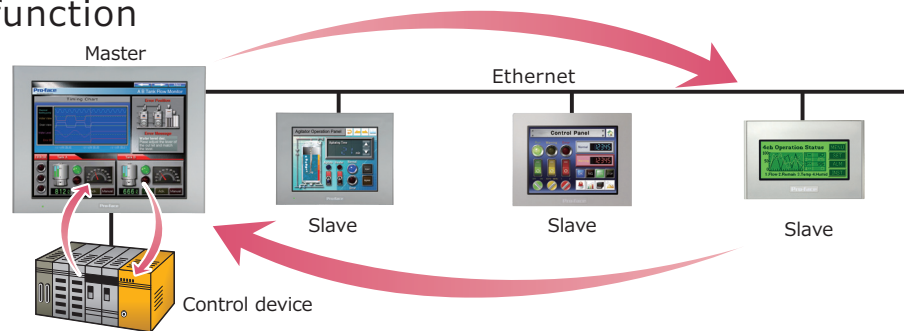


The data transfer tool can be downloaded for free from the Web
<http://www.profaceamerica.com>

Connectivity

Ethernet Multi-Link function

The Ethernet Multi-Link function allows you to easily add a GP as a sub-display to the facility without changing any settings of the control device.



Pro-face America
Phone: 734.477.0600
Fax: 734.864.7347
www.profaceamerica.com

Customer Service Hotline: 800.289.9266

For more information

ACCESS

www.profaceamerica.com

Pro-face
for the best interface