

5.7" AGP3300H Series Hand-held Operator Interface



Features:

- Tethered HMIs with full graphic touch screen
- Built-in Safety Features: Emergency Stop, 3-Position Enable Switch, and Key Switch
- Ideal for use with portable machine diagnostic or maintenance carts
- Applications include conveyor systems, stand-alone machines w/o fixed HMI, overhead crane control and warehouse inventory control
- Supports dual protocols, with the industry's best serial and Ethernet protocol selection
- Extensive multi-language character support
- Compatible with GP-Pro EX V2.20 and newer development software
- Connect directly to PLC or use easy disconnect access points

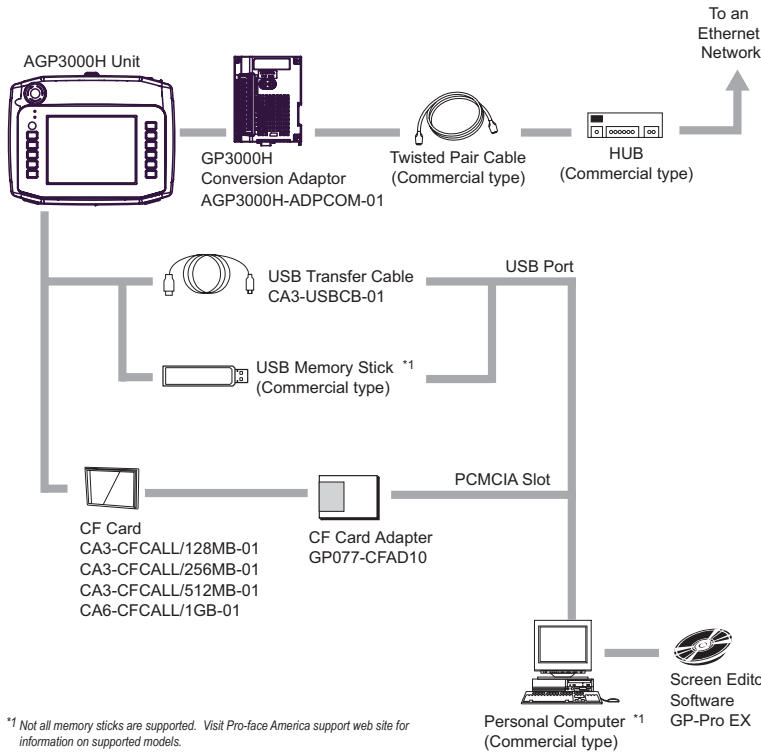
Specifications

Model	AGP3300H-L1-D24-***	AGP3300H-S1-D24-***	AGP3310H-T1-D24-***	
Display	Type	Monochrome LCD	STN Color LCD	TFT Color LCD
	Colors	16 Shades	4,096 Colors	65K colors
	Backlight	White LED (service life: 50,000 hrs. at 25°C and 24hr. operation)		
	Resolution	320 x 240 pixels (QVGA)		640 x 480 pixels (VGA)
	Brightness Control	16 levels of adjustment available via touch panel		
	Touch Panel	Resistive film analog 1024 x 1024 resolution		
Memory	Function Keys	11 Keys		
	Application	6 MB FEPROM		8 MB FEPROM
Interfaces	Data Backup	320KB SRAM (with lithium backup battery)		
	Serial Interface (COM1)	RS232/422/485 (Open leads or 9pin DSub on AGP3000H-ADPCOM-01)		
	Ethernet Interface	10Base-T / 100Base-TX (Open leads or RJ45 on AGP3000H-ADPCOM-01)		
	USB	1 port USB 1.1 (Host), Type A		
	CF Card	1x CompactFlash® Card Slot (Type-II)		
	Emergency Switch	Push Lock Switch, 1 a-contact, 2 b-contacts *, (available in Red, Yellow & Gray)		
	Enable Switch	3 position, 2 b-contacts *		
	Emergency Stop Switch	Push Lock Switch, 1 a-contact, 2 b-contacts *, (available in Red, Yellow & Gray)		
Enable Key Switch	1 c-contact (order -KEY option)			
* see manual for applicable standards				

General Specifications

Models	AGP3310H-T1-D24, AGP3300H-S1-D24, AGP3300H-L1-D24, AGP3310H-T1-D24-RED, AGP3300H-S1-D24-RED, AGP3300H-L1-D24-RED, AGP3310H-T1-D24-***-KEY, AGP3300H-S1-D24-***-KEY, AGP3300H-L1-D24-***-KEY (Available with Red, Yellow or Gray E-Stop Switch and optional Enable Key)	
Electrical	Input Voltage	24V DC
	Rated Voltage	19.2V DC to 28.8V DC
	Power Consumption	16.7 W (max.)
Physical	Ambient Operating Temp.	0°C (32°F) to 40°C (104°F)
	Storage Temperature	-20°C (-4°F) to 60°C (140°F)
	Humidity	10 to 90%RH (wet bulb temperature: 39°C (102°F) max. - no-condensation)
	Altitude Operation	800hPa to 1114hPa (2000 meters above sea-level max.)
	Vibration Resistance	IEC61131-2 compliant. 5Hz to 9Hz single amplitude 3.5mm, 9Hz to 150Hz fixed acceleration 9.8m/s ² , X,Y, Z directions for 10 cycle (100min.)
	Drop Resistance	IEC61131-2 compliant. 1.0 meter drop - 2 times
Mechanical	Rating	Equivalent to IP65
	Certifications	UL508, CSA-C22.2 No. 142-M1987, CE: EN55011 Class A, EN61000-6-2
	Weight	1,050g [2.3 lb.] max. (AGP with a Key Switch, unit only)
	External Dimensions	W 224mm [8.82 in.] X H 174mm [6.85 in.] X D 87.1mm [3.43 in.] (not including Emergency Switch)
Warranty	2-Year Standard	

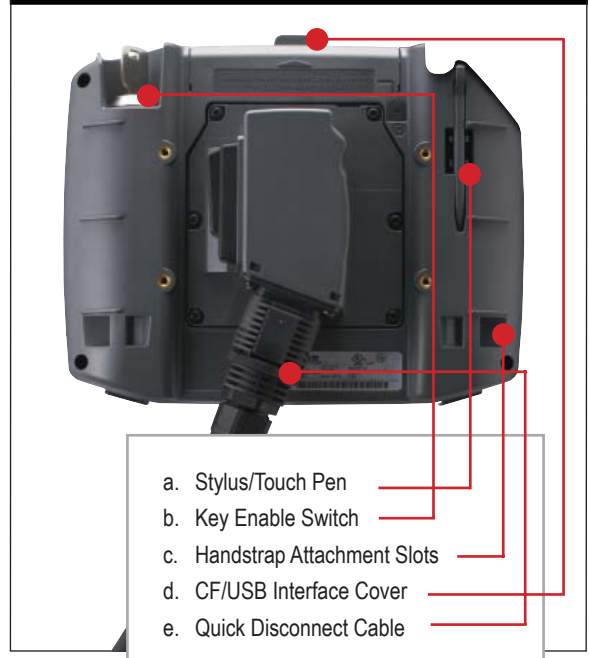
AGP33x0H with Breakout Adapter Configuration



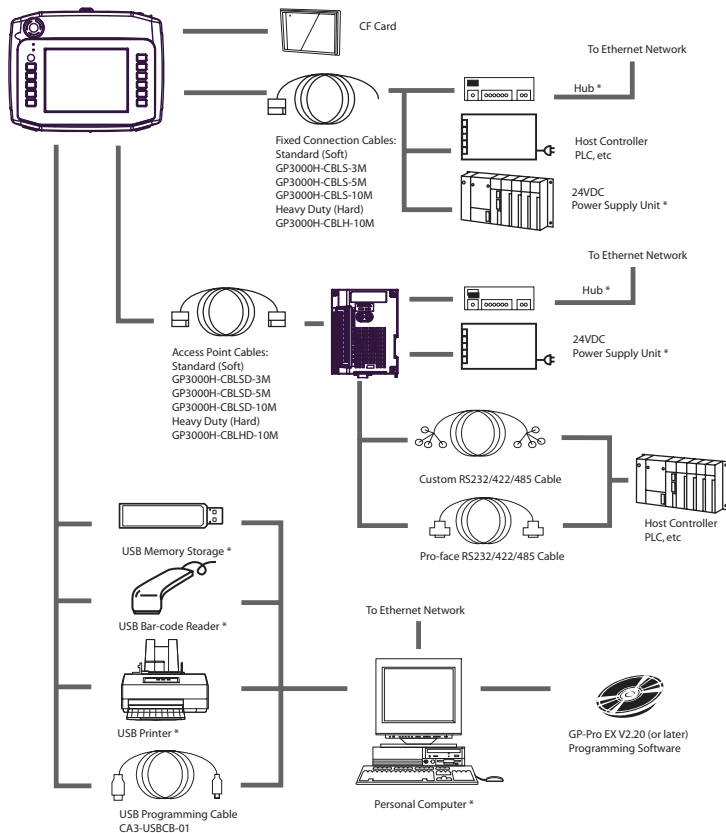
Ordering Information

Part Number	Description
AGP3310H-T1-D24	Hand Held, 5.7" TFT Color LCD (VGA), 24VDC, No E-Stop, No Key
AGP3300H-S1-D24	Hand Held, 5.7" STN Color LCD (QVGA), 24VDC, No E-Stop, No Key
AGP3300H-L1-D24	Hand Held, 5.7" Mono LCD (QVGA), 24VDC, No E-Stop, No Key
AGP3310H-T1-D24-RED	Hand Held, 5.7" TFT Color LCD (VGA), 24VDC, Red E-Stop, No Key
AGP3300H-S1-D24-RED	Hand Held, 5.7" STN Color LCD (QVGA), 24VDC, Red E-Stop, No Key
AGP3300H-L1-D24-RED	Hand Held, 5.7" Mono LCD (QVGA), 24VDC, Red E-Stop, No Key
AGP3310H-T1-D24-***-KEY	Hand Held, 5.7" TFT Color LCD (VGA), 24VDC, E-Stop *, with Key (* E-Stop available in Red/Yellow/Gray (-RED/-YEL/-GRY))
AGP3300H-S1-D24-***-KEY	Hand Held, 5.7" STN Color LCD (QVGA), 24VDC, E-Stop *, with Key (* E-Stop available in Red/Yellow/Gray (-RED/-YEL/-GRY))
AGP3300H-L1-D24-***-KEY	Hand Held, 5.7" Mono LCD (QVGA), 24VDC, E-Stop *, with Key (* E-Stop available in Red/Yellow/Gray (-RED/-YEL/-GRY))

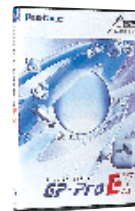
AGP33x0H Back of Unit View



AGP33x0H Configuration



Software Compatibility



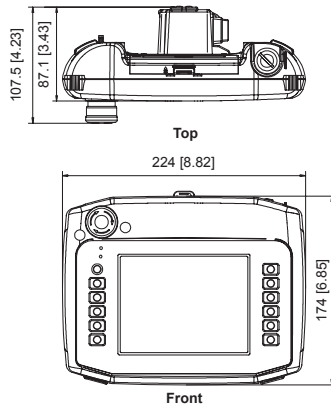
Powered by
Screen Editor
GP-Pro EX
HMI Development
Software
(Version 2.20 or newer)

Data management software
Pro-Server EX



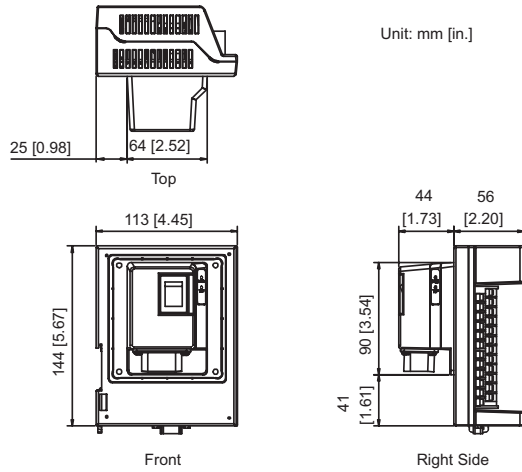
AGP33x0H Exterior Dimensions

Unit: mm [in.]



AGP3000H-ADPCOM-01 Adapter Dimensions

Unit: mm [in.]



Optional Items

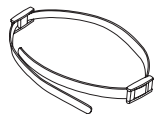
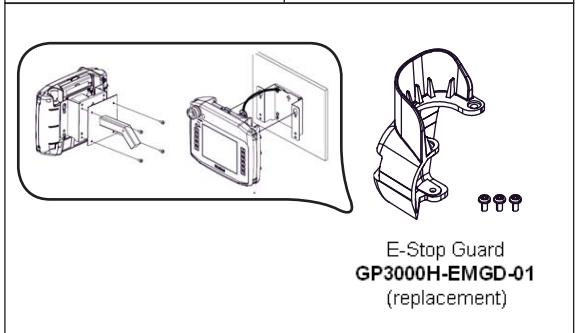
Product Name	Part Number
Software (GP-Pro EX)	EX-ED-V2.20 or later
Breakout adapter for AGP3000H (requires GP3000H-CBLxL-xM cables)	AGP3000H-ADPCOM-01
Cable, 3m soft, AGP3000H connector to open leads (direct connection)	GP3000H-CBLS-3M
Cable, 3m soft, connects AGP3000H-ADPCOM-01 to AGP3000H	GP3000H-CBLSD-3M
Cable, 5m soft, AGP3000H connector to open leads (direct connection)	GP3000H-CBLS-5M
Cable, 5m Soft, connects AGP3000H-ADPCOM-01 to AGP3000H	GP3000H-CBLSD-5M
Cable, 10m hard, AGP3000H connector to open leads (direct connection)	GP3000H-CBLH-10M
Cable, 10m hard, connects AGP3000H-ADPCOM-01 to AGP3000H	GP3000H-CBLHD-10M
Cable, 10m soft, AGP3000H connector to open leads (direct connection)	GP3000H-CBLS-10M
Cable, 10m soft, connects AGP3000H-ADPCOM-01 to AGP3000H	GP3000H-CBLSD-10M
Wall Mount / 75mm VESA Mount adapter for AGP3000H	GP3000H-WMA-01
CF Card	CA6-CFCALL/1GB-01
Adapter Install Gasket	GP3000H-WPGADP-01

Caution: Before operating any of these products, please be sure to read all related manuals thoroughly.
 - All product names used in this document are trademarks or registered trademarks of their respective companies.
 - All information contained in this document is subject to change without notice.



AGP to Flying leads Cable
 -Standard (Soft)
GP3000H-CBLS-3M
GP3000H-CBLS-5M
GP3000H-CBLS-10M
 - Heavy Duty (Hard)
GP3000H-CBLH-10M

AGP to ADPCOM Cable
 -Standard (Soft)
GP3000H-CBLSD-3M
GP3000H-CBLSD-5M
GP3000H-CBLSD-10M
 - Heavy Duty (Hard)
GP3000H-CBLHD-10M



Hand Strap
GP3000H-HS-01
 (replacement)



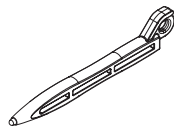
Function Key Labels
GP3000H-DUPS-01
 (replacement, qty 5)



Quick Disconnect Adapter
AGP3000H-ADPCOM-01



Protective Sheets (Hard)
GP3000H-DFS6-01
 (qty 5)



Stylus
CA7-TTPEN/ALL-01
 (replacement)



E-Stop Guard
GP3000H-EMGD-01
 (replacement)

Pro-face America

Phone: 734.429.4971

Fax: 734.429.1010

www.profaceamerica.com

Customer Service Hotline: 734.944.0482

For more information

ACCESS

www.profaceamerica.com

Pro-face