

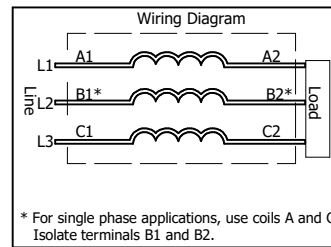
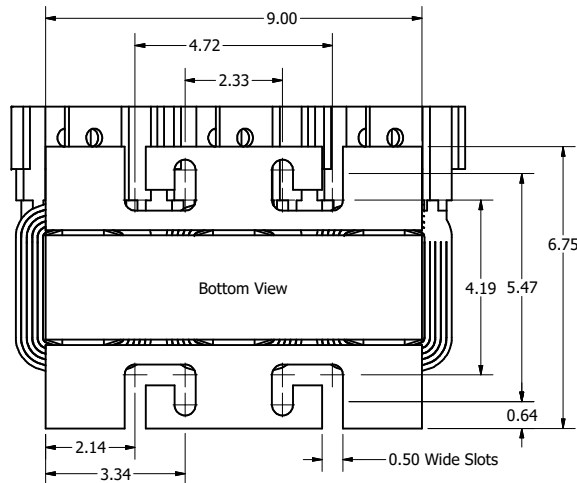
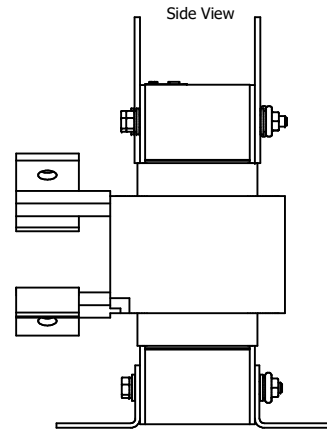
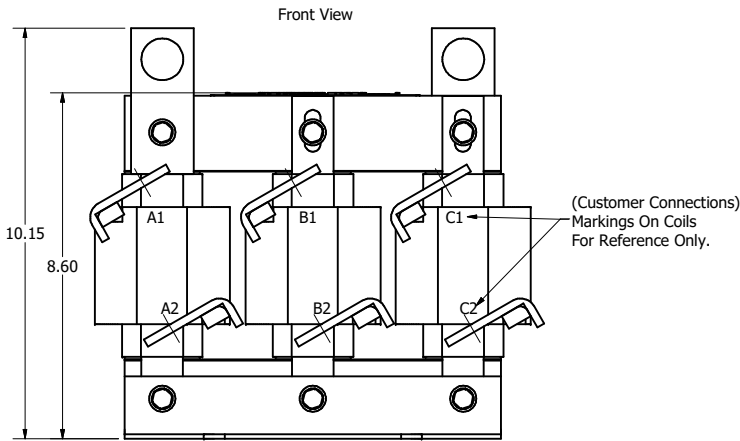
480 Rated Voltage, 600 Max Voltage, Low Z, Impedance.								
Part Number	Horsepower (HP)	Motor Amps (A)	Maximum Amps (A)	Inductance (uH)	Weight (LBS)	Available Lug Kit	Terminal Hole Size (Inches)	Losses (W)
KDRG3L	200	240	240	83.9	65	SLK12	0.44	280

575 Rated Voltage, 600 Max Voltage, High Z, Impedance.								
Part Number	Horsepower (HP)	Motor Amps (A)	Maximum Amps (A)	Inductance (uH)	Weight (LBS)	Available Lug Kit	Terminal Hole Size (Inches)	Losses (W)
KDRG45H	150	144	155	326	65	SLK11	0.44	405

575 Rated Voltage, 600 Max Voltage, Low Z, Impedance.								
Part Number	Horsepower (HP)	Motor Amps (A)	Maximum Amps (A)	Inductance (uH)	Weight (LBS)	Available Lug Kit	Terminal Hole Size (Inches)	Losses (W)
KDRG47L	250	242	242	108	65	SLK12	0.44	394
KDRG45L	300	289	292	98.8	65	SLK12	0.44	374

480 Rated Voltage, 600 Max Voltage, Output								
Part Number	Horsepower (HP)	Motor Amps (A)	Maximum Amps (A)	Inductance (uH)	Weight (LBS)	Available Lug Kit	Terminal Hole Size (Inches)	Losses (W)
KDRG1P	200	240	250	41.3	60	SLK12	0.44	161

575 Rated Voltage, 600 Max Voltage, Output								
Part Number	Horsepower (HP)	Motor Amps (A)	Maximum Amps (A)	Inductance (uH)	Weight (LBS)	Available Lug Kit	Terminal Hole Size (Inches)	Losses (W)
KDRG31P	250	242	250	44	60	SLK12	0.44	161



TCL (800) 824-8282 transcoil.com

TCL, LLC
 Germantown, WI, USA.
transcoil.com
 800-824-8282

KDRUL Drive Reactor
 KDR - Motor Amps ---
 3P/4, 50/60Hz, ---V Rated, 600V Max, -A Max
 40C Arm Max, 150C Plate, RoHS
 Manual #30895 LUG KIT #SLK---

UL LISTED
 2ND EDITION, 10, 2000

DATE CODE A1 B1 C1

- Notes:
1. KDR Lug Kits sold separately. Contact TCL.
 2. For KDRUL Version With Terminal Lugs Attached, See Sheet 4
 3. UL file number: cULus Listed File E116124.
 4. KDR Drive Reactors Comply With The Thermal and Altitude Standards Set Forth by NEMA ST20-1992.
 5. KDR IOM Manual Part Number 30895
 6. NEC Current For 208/240 Volts, Horsepower Based On 208 Volts.
 7. Material(s) Shall be RoHS Compliant
 8. Customer Is Responsible For Installation To Meet All National And Local Electrical Codes.

TCL, LLC CLAIMS PROPRIETARY RIGHTS IN THE MATERIAL HEREIN DISCLOSED. IT IS SUPPLIED WITHOUT PREJUDICE TO ANY PATENT RIGHTS OF TCL AND MAY NOT BE REPRODUCED OR USED TO MANUFACTURE ANYTHING SHOWN THEREIN WITHOUT WRITTEN PERMISSION FROM TCL.				TOLERANCES (EXCEPT AS NOTED) DECIMAL .XX ± .25 .XXX ± .10 FRACTIONAL ± 1/16 ANGULAR ± 1°				W132 N10611 Grant Drive Germantown, WI 53022 KDR G Frame, Copper Bus Reactor Drawing DSN BY DATE 2/28/18 DSW DATE 2/28/18 SCALE: 1/2 107533DG SHEET 3 OF 3	
NO	REVISION	DATE	BY	NO	REVISION	DATE	BY		