




surgeassure™
industrial protection for your home.

Why surge**assure**™ ?

Advanced Protection Technologies (APT) has been a worldwide leader in the surge suppression industry since 1985. APT's surge protection products have long set the standard for protection of commercial & industrial facilities. surge**assure**™ was formed to bring this same level of protection to residential customers.

In addition to superior products, APT has received numerous awards for customer service including the coveted Frost and Sullivan Market Engineering Award.

"APT has demonstrated their ability to meet end-user needs on all accounts and have secured their place as an industry leader." - *Frost & Sullivan*

Through surge**assure**™ we bring superior protection solutions and services to residential customers. surge**assure**™ protection products utilize the same technology and rugged components used in our industrial & commercial products that protect critical electronic equipment for Fortune 500 companies. When surge**assure**™ products are installed using the proven zone concept used by APT for protecting hospitals, schools, wastewater treatment plants & other facilities, your valuable equipment will last without your lifestyle being interrupted.



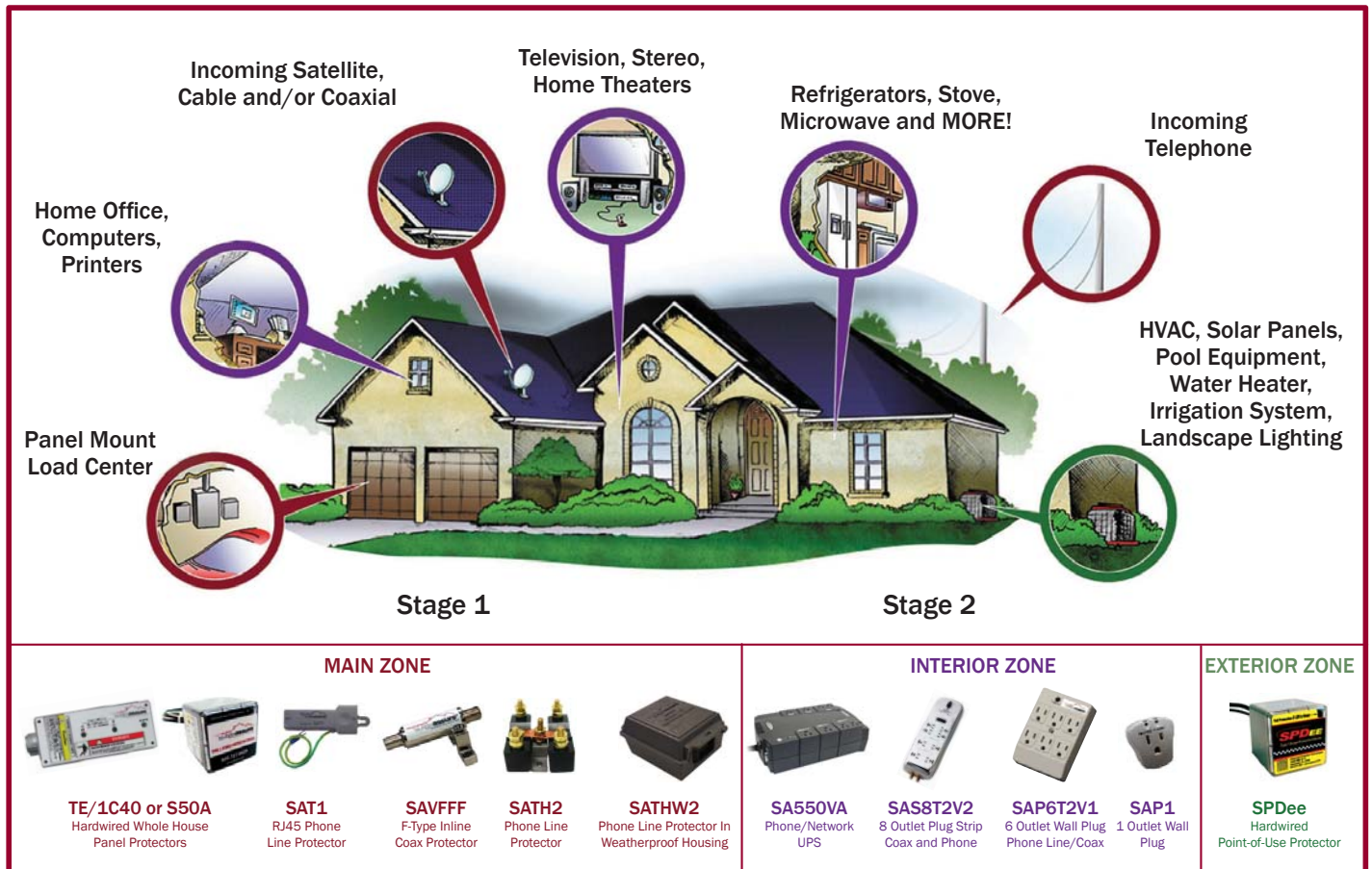
For technical or application questions, contact:

800.727.0669

or visit

www.surgeassure.com

Total Zone Whole House Surge Protection



Today's homes are more reliant than ever on appliances and electronics that are controlled by extremely sensitive microprocessor circuits. These circuits are easily damaged or disrupted by power surges originating both inside and outside the home. surge**assure**[™] has developed a line of residential protection products designed to protect the electrical and electronic equipment in your home using the **Total Zone Protection** "staged protection" strategy which divides your home into three zones.

WHAT ARE POWER SURGES AND WHERE DO THEY COME FROM?

- Extremely brief spikes in electrical power that burn up electrical circuits inside appliances and electronic equipment.
- 30% enter the home through the power lines, telephone lines and cable TV/satellite lines. These are the most damaging.
- 70% are generated by equipment inside the home from motors and large appliances turning off and on.

WHAT DAMAGE CAN POWER SURGES CAUSE?

- **PHYSICAL DAMAGE:** The most noticeable and dramatic, these are the result of large power surges originating outside the home.
- **DISRUPTION:** The computer locks up or shuts down, the DVD player malfunctions, the washing machine shuts down before the end of the cycle.
- **DEGRADATION:** Also called "electronic rust," it shortens the lifespan of your equipment so that it mysteriously stops working sooner than one would expect.

HOW CAN surge**assure**[™] PROTECT MY HOME AND INCREASE THE LIFE OF MY ELECTRONIC EQUIPMENT?

- surge**assure**[™] divides your home into three zones and uses the same "staged protection" strategy used to successfully protect industrial and commercial facilities.

MAIN ZONE: First stage of defense and the key to protecting your home. Main Zone Protectors are installed at the main power panel, cable TV/satellite service and telephone service.

INTERIOR ZONE: Second stage of defense for sensitive electronics inside the home.

EXTERIOR ZONE: Second stage of defense for equipment located outside the home such as the air conditioning unit, pool pump or well pumps.

STOP SURGES BEFORE THEY GET IN!

surgeassure™ **RETAIL STYLE PRODUCTS**



The TE/1C40 Whole House Panel Protector is available in retail style (clamshell) packaging by ordering part# C40E.

To fully Protect the home from surges coming from the outside through the Main Power Panel, Cable and Telephone order the Whole House Surge Protection Kit part # MZE. The MZE kit contains the C40E (TE/1C40), SATL (SAT1) & SACX (SAVFFF) in a retail style (clamshell) package.

For product specification information for both the C40E and MZE please reference their corresponding part number's spec sheets.

www.surgeassure.com



PRODUCT CATALOG

Table of Contents

MAIN ZONE PRODUCTS

TE/1C40	1
S50A	2
SAVFFF	3
SAT1	4
SATHW2 & SATH2	5

INTERIOR ZONE PRODUCTS

SAP1 & SAP6T2V1	6
SAS8T2V2	7
SA550VA	8

EXTERIOR ZONE PRODUCTS

S50A120V1P & S50A120V2P	9
-------------------------------	---



Main Zone Protector TE/1C40



FEATURES AND BENEFITS

- UL 1449 3rd Edition listed Type 2 Surge Protective Device
- Rated for single phase panels up to 400 Amps
- Installation flexibility
- Audible Alarm
- Internal diagnostics keep you informed
- Ground Status Monitoring
- 10 Year product warranty

The surgeassure™ TE/1C40 shields motor-driven appliances in residential and light commercial applications against electrical power surge damage from entering through the main electrical service panel.

Multiple MOV technology with thermal disconnect to prevent catastrophic failure.

Two LED lights indicate protection status. An audible alarm alerts you when protection is disrupted.

Unique Ground Status Monitoring Circuit provides notification if excessive Neutral-Ground voltage is present, a red indicator light will flash and the audible alarm will activate.

Major household electrical and electronic equipment are covered against surge damage for 10 years when a TE/1C40 is installed by a licensed electrician.

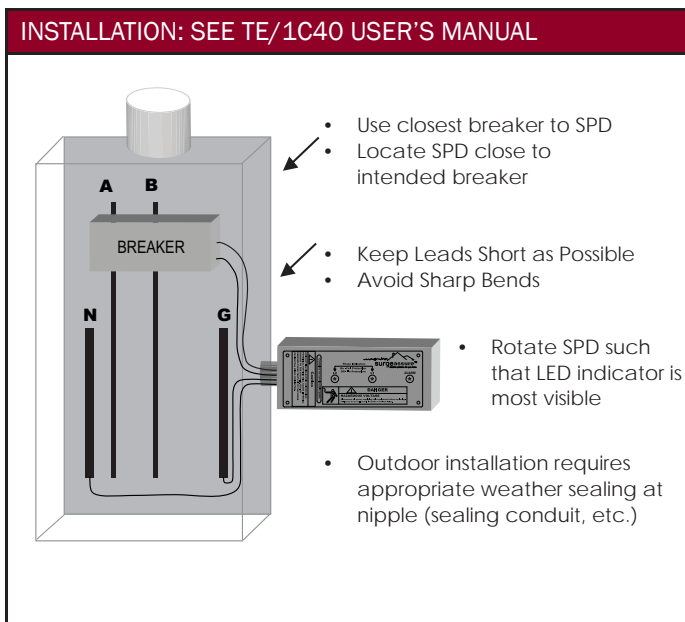
If the TE/1C40 surge protector is damaged during the first 10 years of ownership surgeassure™ will replace it free of charge!

TECHNICAL SPECIFICATIONS

AC SURGE PROTECTION	
Thermal Fusing	Yes
Catastrophic Surge Circuit	Yes
Spike Capacity	40,000 Amps
Line Voltage	120/240 1 Phase 50/60 Hz
Initial Clamping Level	700V
Rated Voltage	150V
Response Time	<1 nanosecond
Short Circuit Current Rating	25,000 Amps
NEMA 4X Enclosure	Standard
AGENCY APPROVALS & WARRANTY	
UL Listings	1449 3rd Edition - Type 2 SPD
Meets ANS/IEEE C62.41.1 Requirements	Yes
Meets NEMA LS-1	Yes
Product Warranty	10 Years
Connected Equipment Warranty	10 Years (See warranty for details)

SELECTION INFORMATION

CATALOG #	DESCRIPTION
TE/1C/040/AA	Whole House Panel Protector
FMKITC	Flush Mount Kit



Main Zone Protector S50A



The surgeassure™ S50A shields motor-driven appliances in residential and light commercial applications against electrical power surge damage from entering through the main electrical service panel.

Large-block, individually fused & thermally protected MOVs prevent catastrophic failure.

Green LED light indicates full protection is present. The indicator light is extinguished when protection is no longer present.

S50A has a versatile Tri-Mount that allows for more mounting flexibility including: pipe nipple, bracket, or DIN Rail.

Major household electrical and electronic equipment are covered against surge damage for 10 years when S50A is installed by a licensed electrician.

If the S50A surge protector is damaged during the first 10 years of ownership surgeassure™ will replace it free of charge.



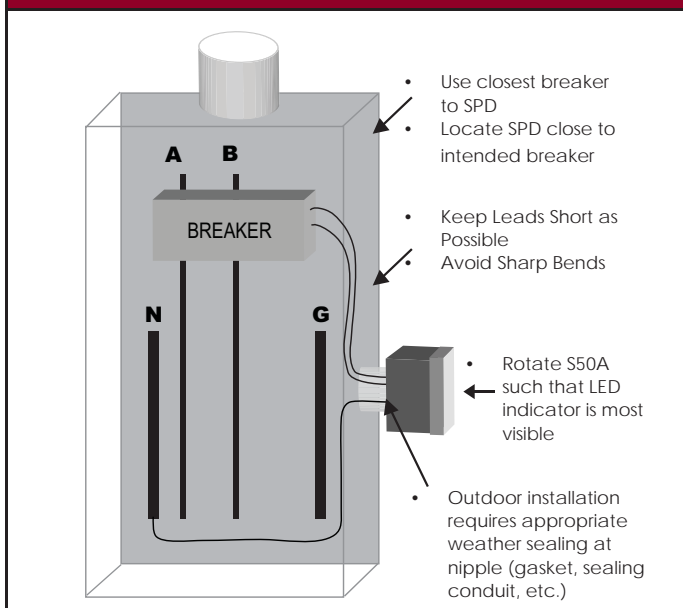
FEATURES AND BENEFITS

- UL 1449 3rd Edition listed Type 1 Surge Protective Device
- Versatile Tri-Mount Installation
- 10 Year product warranty

TECHNICAL SPECIFICATIONS

AC SURGE PROTECTION	
Thermal Fusing	Yes
Catastrophic Surge Circuit	Yes
Spike Capacity	50,000 Amps
Line Voltage	120/240 1 Phase 50/60 Hz
Voltage Protection Rating	600V
MCOV Rated Voltage	150V
Response Time	<1 nanosecond
NEMA 4X Enclosure	Standard
AGENCY APPROVALS & WARRANTY	
UL Listings	1449 3rd Edition - Type 1 SPD
Meets ANS/IEEE C62.41.1 Requirements	Yes
Meets NEMA LS-1	Yes
Product Warranty	10 Years
Connected Equipment Warranty	10 Years (See warranty for details)

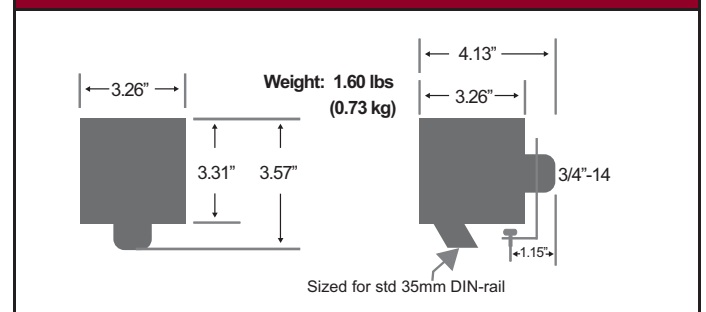
INSTALLATION: SEE S50A USER'S MANUAL



SELECTION INFORMATION

CATALOG #	DESCRIPTION
S50A120V2PS	Whole House Panel Protector

DIMENSIONS



Main Zone Protector SAVFFF



The surgeassure™ SAVFFF shields coaxial connected electronics in residential and light commercial applications against electrical transient damage from entering through the main cable connection.

Rugged Gas Tube technology prevents catastrophic failure.

Includes a section of coaxial cable with female to female splice for line side application.

The surgeassure™ warranty covers product defects for 5 years.

To have complete protection for your equipment, home or business, it is important to protect AC power lines and all data lines the equipment is connected through.

INSTALLATION INSTRUCTIONS:

DO NOT INSTALL DURING ACTIVE STORM CONDITIONS.

This protector is intended to provide surge protection for customer premises and head end equipment. Proper grounding per NEC code is required. Failure to follow these instructions can result in personal injury and/or equipment damage.

DC Voltage Breakdown Rating (100V/s): 150- 300VDC

- 1) Properly ground the unit by connecting grounding wire to ground screw on the surge protector and the ground point nearest to the incoming coax cable line.
- 2) Use the supplied coax cable extension line (if necessary) to connect one end to the input connector of the SAVFFF and the other end to the incoming coax cable line from the cable company or origin point connector of a satellite system.
- 3) Connect the coax cable line that will extend into the home to the other side of the SAVFFF protector.



FEATURES AND BENEFITS

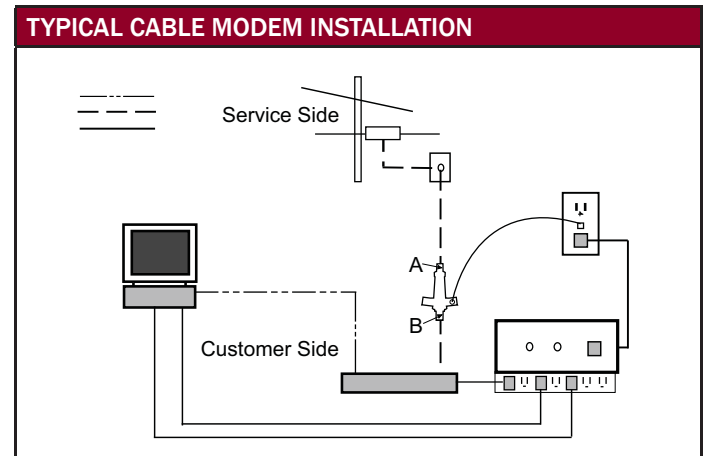
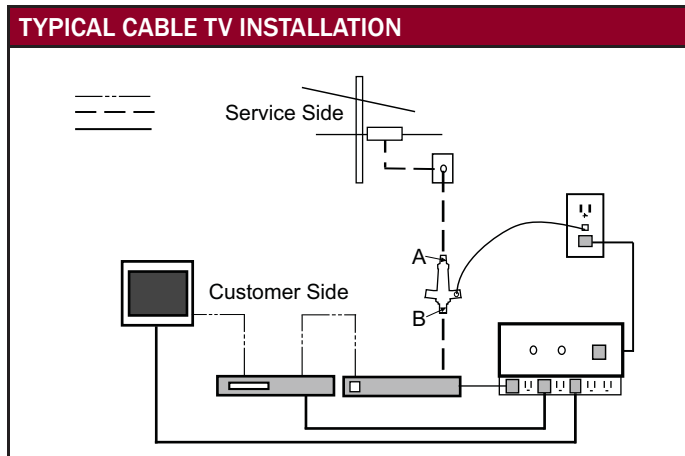
- UL 497C listed Primary Coaxial Protector
- Rated for CATV, DSS, TV, VCR and Cable Modem
- Easy to install
- Standard Female to Female F connector
- Low insertion loss
- Automatic Recovery
- 5 year product warranty

TECHNICAL SPECIFICATIONS

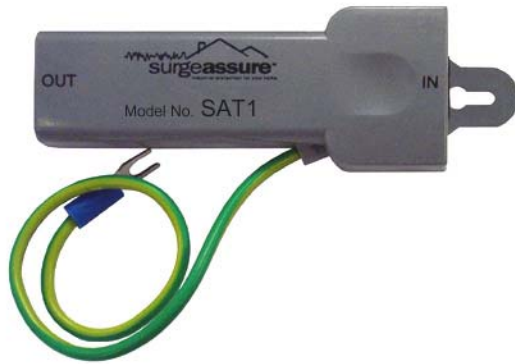
AC SURGE PROTECTION	
Frequency Range	DC thru 1.5 GHz
Catastrophic Surge Circuit	Yes
Spike Capacity	5,000 Amps, 8/20 μ Sec
Impedance	75 Ohms
Over Current Protection	Yes
Return Loss	30db @ 1GHz
Insertion Loss	<0.1 dB
AGENCY APPROVALS & WARRANTY	
UL Listings	497C
Meets IEEE C62.41.1 Requirements	Yes
Product Warranty	5 years

SELECTION INFORMATION

CATALOG #	DESCRIPTION
SAVFFF	F-Type InLine Coax Protector



Main Zone Protector SAT1



The surgeassure™ SAT1 protects telephone or modem connected electronics in residential and light commercial applications against electrical transient damage from entering through the main telephone connection.

Multi stage technology prevents catastrophic failure.

Includes one foot section of cable with female to female splice for line side application.

The surgeassure™ warranty covers product defects for 5 years.

To have complete protection for your equipment, home or business, it is important to protect AC power lines and all data lines the equipment is connected through.

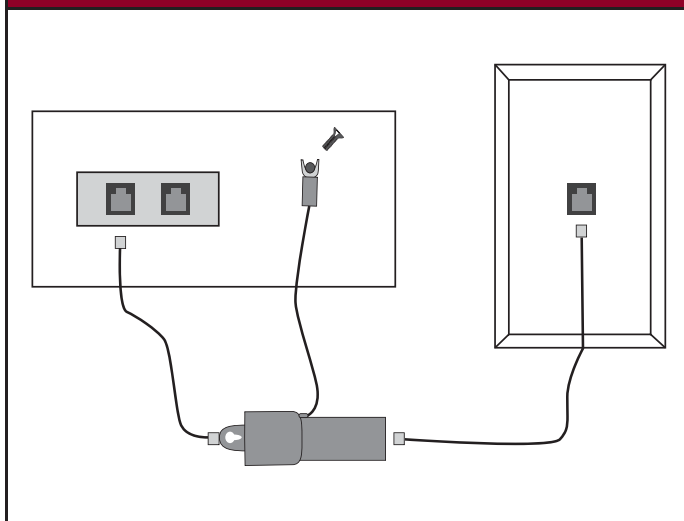
FEATURES AND BENEFITS

- UL listed surge protection
- Rated for RJ45 or RJ11 Modem/Fax/DSL protection
- Easy to install
- Standard RJ45 or RJ11 jack
- Low insertion loss
- Opens up at the end of its useful life
- 5 year product warranty

TECHNICAL SPECIFICATIONS

AC SURGE PROTECTION	
Catastrophic Surge Circuit	Yes
Spike Capacity	200 Amps
Let Through Voltage	<260V
Over Current Protection	Yes
Response Time	1 nanosecond
Data Line Protected	3,4,5,6 - RJ45 1-4 RJ11
AGENCY APPROVALS & WARRANTY	
UL Listings	497A
Meets IEEE C62.41.1 Requirements	Yes
Product Warranty	5 years

TYPICAL TELEPHONE OR FAX INSTALLATION



SELECTION INFORMATION

CATALOG #	DESCRIPTION
SAT1	RJ45 or RJ11 Phone Line Protector

INSTALLATION INSTRUCTIONS:

DO NOT INSTALL DURING ACTIVE STORM CONDITIONS.

This protector is intended for indoor use only. Failure to follow these instructions can result in personal injury and/or equipment damage.

DC Breakdown Rating (100V/s): 262 - 290 Vdc

- 1) Secure the lug on the end of the green grounding wire under a screw at the ground point closest to the incoming telephone line.
- 2) Use the supplied telephone extension line to connect one end to input jack of the SAT1 protector and the other end to the incoming telephone line jack from the telephone company.
- 3) Connect the telephone line that will extend into the home to the output jack of the SAT1 protector.

Main Zone Protector SATHW2 & SATH2



The surgeassure™ SATHW2 is a 2 pair, hardwired surge protector for telephone, DSL or modem connected electronics in residential and light commercial applications. The SATHW2 protects against electrical power surges that can enter through the main telephone connection and is equipped with a failshort device to permanently ground the telephone line in the event of a power cross. The SATHW2 is housed in a weatherproof enclosure to facilitate indoor or outdoor applications. The enclosure is molded of temperature and humidity resistant thermoplastic to resist cracking and discoloration. The cover can be secured with a tie wrap or similar locking device.

The surgeassure™ SATH2 is the same 2 pair, hardwired surge protector for telephone, DSL or modem used in the SATHW2 but without the weatherproof enclosure. The SATH2 is designed for indoor applications or can be mounted inside another weatherproof enclosure for outdoor mounting applications.

The surgeassure™ warranty covers product defects for 5 years.

To have complete protection for your equipment, home, or business, it is important to protect AC power lines and all data lines the equipment is connected through.

INSTALLATION INSTRUCTIONS:

DO NOT INSTALL DURING ACTIVE STORM CONDITIONS.

This device can be used indoors (SATH2), or outdoors when installed in weatherproof housing (SATHW2). Failure to follow installation instructions can result in personal injury and/or equipment damage not covered by warranty.

SATH2 – For indoor use:

- 1) SATH2 protects 2 pair (1 pair per protector module) and is intended for indoor use only, with out additional housings.
- 2) Attach securely to mounting surface.
- 3) Install ground wire, and if applicable, service shield, under top center nut of mounting bracket and tighten nut securely.
- 4) TIP IN and TIP OUT are connected to one post. RING IN and RING OUT are connected to the second post on the protection module.
- 5) Connect one pair (tip and ring) under the bottom nut on each protector module, tip on one post, ring on the other.
- 6) Connect the customer wiring, tip and ring, under the top nut on the same protector module (protector is wired in parallel).
- 7) Repeat Tip and Ring Connections on second protection module
- 8) Check all wiring for loose connections and shorting or broken wires.

SATHW2 – For outdoor use:

- 1) Mount weatherproof housing securely to flat surface.
- 2) Conductors will enter and exit from the flexible grommet located at bottom of enclosure.
- 3) Follow instruction above for SATH2 connections.
- 4) Secure enclosure with tie wrap or similar locking device.

The SATH2 is a Parallel Device.



FEATURES AND BENEFITS

- UL listed surge protection
- Hardwired Modem/Fax/DSL protection
- Easy to install
- Exceptionally fast response time
- Available with or without enclosure
- 5 Year Product Warranty

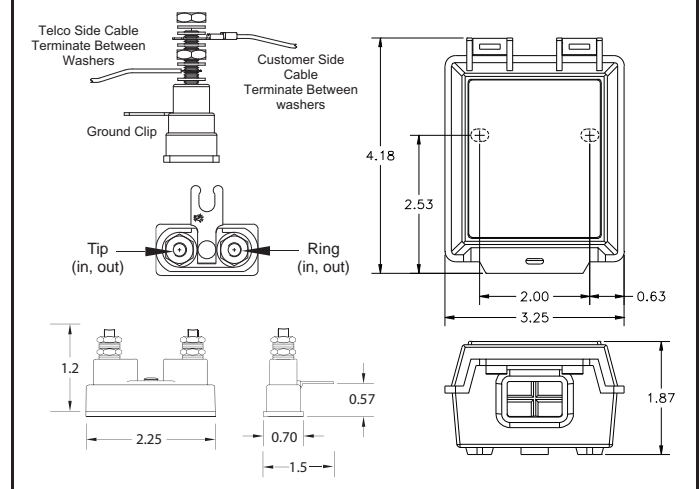
TECHNICAL SPECIFICATIONS

HARDWIRED TELEPHONE SURGE PROTECTION	
Catastrophic Surge Circuit	Yes
Spike Capacity	250A
Let Through Voltage	300V
Over Current Protection	Yes
Response Time	<1 nanosecond
Environmentally Sealed	Yes
AGENCY APPROVALS & WARRANTY	
UL Listings	497A
Product Warranty	5 Years

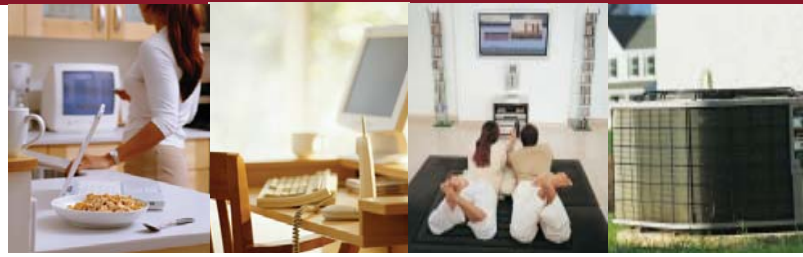
REPLACEMENT PARTS

CATALOG #	DESCRIPTION
SATHW2	TM1P - 1 Pair Protection Module (2 required)
	THWE2 - Weatherproof Enclosure, 2 Pair Capacity
SATH2	TM1P - 1 Pair Protection Module (2 required)
	TB1 - Ground Stud Mounting Adaptor

DIMENSIONS



Interior Zone Protector SAP1 & SAP6T2V1



The surgeassure™ SAP1 and SAP6T2V1 space saving wall plug protectors are designed for applications where a plug strip is not practical.

The SAP1 is ideal for answering machines, fax machines and any 120 volt appliance such as refrigerators, washing machines, microwave ovens and garage door openers.

The surgeassure™ SAP6T2V1 is ideal for protecting TV's, computers and any electronic equipment where multiple outlets and a low profile are preferable. Individual outlets can be rotated to different directions for easy usage.

Major household electrical and electronic equipment are covered against surge damage for Lifetime during ownership by the original purchaser when a surgeassure™ Wall Plug Interior Zone Protector is installed and when surgeassure™ Main Zone Protectors are installed.

If the SAP1 or SAP6T2V1 surge protector is damaged during the warranty period surgeassure™ will replace it free of Charge!

INSTALLATION INSTRUCTIONS: DO NOT INSTALL DURING ACTIVE STORM CONDITIONS.

- 1) If the surgeassure™ protector has a mounting screw, remove the center screw of the receptacle.
- 2) Plug the protector into the receptacle and secure with the mounting screw.
- 3) If the protector is equipped with telephone protection, use the supplied telephone extension cord to connect the telephone line from the input jack of the protector to the wall jack. Connect the equipment to the output jack of the protector using the existing telephone cord.
- 4) If the protector has coax cable protection, connect cable from signal source to the input jack of the protector, and cable from the output jack of the protector to the TV or other protected equipment.
- 5) Connect the equipment cord(s) into the AC receptacles of the protector.

FEATURES AND BENEFITS

- UL listed surge protection
- Rated for 120VAC 15A, grounded outlets
- Easy to install for homeowner for individual or multiple appliances
- Visual indication of "Protected" & "Grounded" status
- Multiple outlet taps have mounting screw
- Lifetime Product Warranty

TECHNICAL SPECIFICATIONS

C SURGE PROTECTION	SAP1	SAP6T2V1
Surge Capacity	36,000 Amps	144,000 Amps
Line Voltage	120 VAC	120VAC
Protected AC Outlets	1	6
Phone Lines Protected	N/A	1 IN, 2 OUT
Coax Line Protected	N/A	1
Patch Cord Provided	N/A	Yes

AGENCY APPROVALS & WARRANTY

UL Listings	1449 UL 498, UL 497A
UL 1449 Rating	400V
Product Warranty	Lifetime
*Connected Equipment Warranty	Lifetime (See warranty for details)

*Requires all 3 surgeassure™ Main Zone Protectors to be installed at the homes incoming service.



TE/1C40 Main Zone Protector

SAT1 and SAVFFF

SELECTION INFORMATION

CATALOG #	DESCRIPTION
SAP1	1 Outlet Wall Plug
SAP6T2V1	6 Outlet Wall Plug with 1 Phone IN 2 OUT, 1 Coax

Interior Zone Protector SAS8T2V2



The surgeassure™ SAS8T2V2 is specially designed for Home Theater and Home Office applications.

The SAS8T2V2 provides protection for 8AC outlets with space for 3 adapter plugs, 2 coax lines and 2 telephone/fax/modem lines.

The surgeassure™ SAS8T2V2 surge protector can be securely mounted using the slots provided on the back of the unit.

Major household electrical and electronic equipment are covered against surge damage for Lifetime during ownership by the original purchaser when a SAS8T2V2 is installed and when surgeassure™ Main Zone Protectors are installed.

If the SAS8T2V2 surge protector is damaged during the warranty period, surgeassure™ will replace it free of charge!

INSTALLATION INSTRUCTIONS:

- 1) Plug the protector into the receptacle. If the surgeassure™ protector is equipped with telephone protection, use the supplied telephone cord to connect the telephone line from the input jack of the protector to the wall jack. Connect the telephone equipment to the output jack of the protector using the existing telephone cord.
- 2) If the protector has coax cable protection, connect cable from signal source to the input jack of the protector and cable from the output jack of the protector to the TV or other protected equipment.
- 3) Connect the AC cords of the equipment to be protected to the surgeassure™ protector.
- 4) Turn on the surgeassure™ protector using the on/off switch.
- 5) The indicator lights should be on after the protector has been installed.

SELECTION INFORMATION

CATALOG #	DESCRIPTION
SAS8T2V2	8 AC Outlets, 2 Coax Lines, 2 Telephone/Fax/Modem Lines



FEATURES AND BENEFITS

- UL listed surge protection
- Rated for 120VAC grounded outlets
- Installation by homeowner for multiple electronics
- Visual indication of “Protected” and “Grounded” status
- Lifetime product warranty

TECHNICAL SPECIFICATIONS

AC SURGE PROTECTION	
Surge Capacity	144,000 Amps
Line Voltage	120VAC
EMI/RFI Filtering	Yes
Protected AC Outlets	8
Protected Coax Lines	2
Protected Phone Lines	2
Coax Patch Cord Provided	Yes
Phone Patch Cord Provided	Yes
AGENCY APPROVALS & WARRANTY	
UL Listings	1363, 1449 SPD
UL 1449 Rating	330V
Product Warranty	Lifetime
*Connected Equipment Warranty	Lifetime (See warranty for details)

*Requires all 3 surgeassure™ Main Zone Protectors to be installed at the homes incoming service.



TE/1C40 Main Zone Protector



SAT1 and SAVFFF

Interior Zone Protector SA550VA



The surgeassure™ SA550VA UPS offers battery backup and surge protection for the home offices and small businesses who can not afford to lose data.

Enough power outlets to protect your entire system, built-in phone, fax and modem line (DSL compatible) protection. Easy-to-install safe system shutdown software, makes this power protection solution ideal for home offices.

Unique power monitoring and unattended computer shutdown software is included. In the event of a power outage the software automatically saves and closes open files, then shuts down the computer in an intelligent and orderly manner.

Major household electrical and electronic equipment are covered against surge damage for 2 years when a SA550VA is installed and when surgeassure™ Main Zone Protectors are installed.

If the SA550VA UPS is damaged during the first 2 years of ownership, surgeassure™ will replace it free of charge!

AGENCY APPROVALS & WARRANTY	
UL Listed	Yes
Product Warranty	2 Year
*Connected Equipment Warranty	2 Year (See warranty for details)

*Requires all 3 surgeassure™ Main Zone Protectors to be installed at the homes incoming service.



TE/1C40 Main Zone Protector



SAT1 and SAVFFF

FEATURES AND BENEFITS

- UL listed UPS with surge protection
- Rated for 120VAC grounded outlets
- 4 Transformer spaced outlets
- Power on/off, wiring fault indicator lights
- Internal diagnostics keep you informed of battery status
- Computer monitoring and shutdown software included
- 2 year product warranty

TECHNICAL SPECIFICATIONS

UPS PROTECTION	
Input Capacity	550VA
Line Voltage	120VAC
EMI/RFI Filtering	Yes
Battery Run Time	* 15 - 60 Minutes
Typical Battery Recharge Time	4 Hours
Battery Low Alarm	Yes
Battery Backup Alarm	Yes
Typical Battery Life	Up to 3 - 6 Years
UPS Protected Outlets	4
Surge Protected Outlets	4
Protected Telephone/RJ11 Line	1 - IN, 2 - OUT
Phone Cable Included	Yes
Automatic Shutdown and UPS Management Software	Yes

*Run time depends on monitor size. See Owner's Manual for complete details.

SELECTION INFORMATION

CATALOG #	DESCRIPTION
SA550VA	UPS with 8 120V and 1 Phone/Network protector

Exterior Zone Protector S50A120V1P & S50A120V2P



The surgeassure™ S50A120V1P and S50A120V2P are ideal for protecting the 120 volt power source for motors running your pool equipment, the outside air conditioning unit, irrigation and landscape lighting controllers, etc.

It is recommended that this unit be installed by a licensed electrician. This compact suppressor installs easily using the included bracket or chase nipple.

INSTALLATION INSTRUCTIONS:

INSTALL THE SPD AS CLOSE AS POSSIBLE TO THE DESIGNATED PROTECTED EQUIPMENT FOR MAXIMUM EFFECTIVENESS.

- 1) Turn off power.
- 2) The S50A120V1P & S50A120V2P SPD is designed to be installed utilizing the threaded chase nipple or mounting bracket. Locate a mounting position as close as possible to the electrical connection point of the pump or motor.
- 3) Mount the bracket with user supplied hardware.
- 4) Cut the leads to the shortest length possible, avoiding any sharp bends in the wire. Insure that clean, tight, permanent connections are utilized.
- 5) Connect the suppressor leads to the system. Connect the white lead (Ground/Neutral) first, then connect the black leads (Line).
- 6) Turn on power.

BRACKET MOUNT FOR FLAT SURFACES



FEATURES AND BENEFITS

- UL 1449 Third Edition Listed Type 1 Surge protective device
- Installation flexibility
- 2 year warranty

TECHNICAL SPECIFICATIONS

AC SURGE PROTECTION	
Surge Current	50,000 Amps
AGENCY APPROVALS & WARRANTY	
UL Listings	1449 3rd Edition Type 1 SPD
Product Warranty	2 Years
*Connected Equipment Warranty	2 Years (See warranty for details)

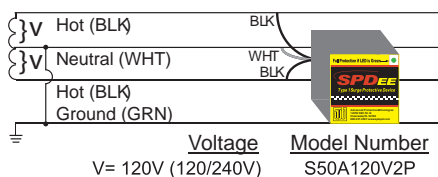
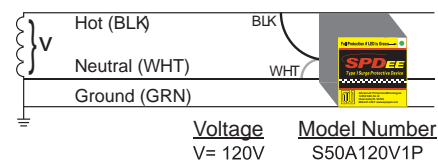
*Requires the surgeassure™ Main Zone Panel Protector to be installed at the homes incoming service.



TE/1C40 Main Zone Protector

SELECTION INFORMATION

CATALOG #	DESCRIPTION
S50A120V1P	Surge Protective Device
S50A120V2P	



DON'T LEAVE YOUR BUSINESS UNPROTECTED.
INVEST IN APT SURGE PROTECTION TODAY!

UL 1449 3RD EDITION
SURGE PROTECTIVE DEVICES



For more information on APT's Commercial/ Industrial Surge Protective Devices please request a copy of our APT Commercial Catalog.



**ADVANCED PROTECTION
TECHNOLOGIES INC.**

14550 58th Street North, Clearwater, FL 33760
Toll-Free: 1-800-237-4567 phone: 727-535-6339
www.aptspd.com

FOR TECHNICAL OR APPLICATION
QUESTIONS, CONTACT:
800.727.0669



A Division of Advanced Protection Technologies, Inc.

14550 58th Street North, Clearwater, FL 33760

info@surgeassure.com

www.surgeassure.com

2.8.12.RevE.jb