

3.5" Touch Screen Operator Interface



**TouchPanel
Operation**



3.5-inch TFT Color Touch Screen Operator Interface

	DC 24V	3.5 -inch
GP-4201TW	QVGA	

Model: PFXGP4201TADW

Powered by
Screen Editor
GP-Pro EX



Features:

- 65,536 Colors, Clear, Bright, High-Resolution TFT Display
- Energy Efficient LED Display
- No Grid Analog Touch Panel for Improved Visibility and Precise Part Placement
- Supports Up to Two Protocol Drivers Simultaneously
- High Speed Application Transfer, 10 Times Faster than Conventional Operator Interfaces
- USB, and Serial Communication Interfaces
- High-Definition Part Images and Multi-Language Support

Specifications

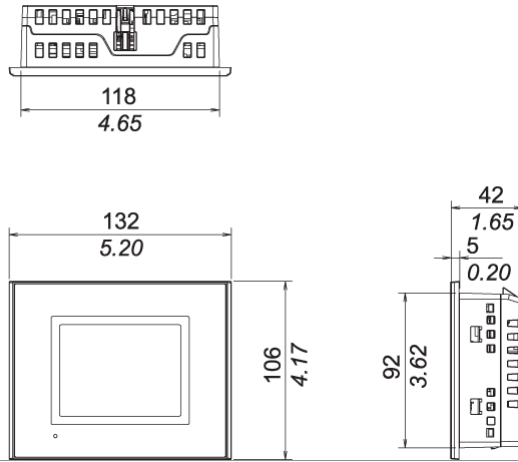
Model	PFXGP4201TADW
Graphics Display Resolution	320 x 240 pixels (QVGA)
Display Type and Size	TFT Color LCD (3.5 inch)
Display Colors	65,536 Colors (No blink)/16,384 Colors (Blink)
Display Area	W70.56 x H52.92 mm [W2.78 x H2.08 in.]
Touch Screen	Resistive film analog 1024 x 1024 resolution
USB	USB Type-A (2.0) x 1 , USB mini-B (2.0) x1
Serial	COM1: RS-232C/422/485 Asynchronous Transmission, Data Length: 7 or 8 bit, Parity: None, Even or Odd, Stop Bit: 1 or 2 bit, Data Transmission Speed: 2,400 bps to 115.2 kbps, 187.5 kbps(MPI), Connector: D-Sub9 (plug) COM2: RS-485 (isolation) Asynchronous Transmission, Data Length: 7 or 8 bit, Parity: None, Even or Odd, Stop Bit: 1 or 2 bit, Data Transmission Speed: 2,400 bps to 115.2 kbps, 187.5 kbps (MPI), Connector: D-Sub9 (socket)
Backlight	White LED (User nonreplaceable parts. When replacement is required, contact your local distributor.
Brightness and Contrast Controls	8 levels of adjustment available via touch panel (or the software)
Programming Memory	8MB EPROM (GP-Pro EX V3.0 or later)
Backup Memory	128kb SRAM with battery backup

General Specifications

Model	PFXGP4201TADW
Input Voltage	Rated DC24V (Limits DC19.2 to 28.8V)
Power Consumption	9.6 W or less
Ambient Operating Temp.	0°C (32°F) to 50°C (122°F)
Storage Temperature	-20 to 60 °C [-4 to 140 °F]
Altitude Endurance	800hPa to 1114hPA (2000 meters or lower)
Certifications	CE, UL Listed Cl 1 Div 2, RoHS
Humidity - Ambient/Storage	10 to 90 % RH (Wet bulb temperature: 39 °C [102.2 °F] or less - no condensation.)
Noise Immunity	Noise Voltage: 1,000 Vp-p, Pulse Duration: 1 μs, Rise Time: 1 ns (via noise simulator)
Cooling Method	Natural air circulation
Electrostatic Discharge Immunity	Contact Discharge Method: 6 kV (IEC/EN61000-4-2 Level 3)
Vibration Resistance	IEC/EN61131-2 compliant, 5 to 9 Hz Single amplitude 3.5 mm [0.14 in.], 9 to 150 Hz Fixed acceleration: 9.8 m/s², X, Y, Z directions for 10 cycles (approx. 100 min)
Shock during operation	IEC/EN61131-2 compliant 147 m/s², X, Y, Z directions for 3 times
Rating	Equivalent to IP65f, Nema #250 Type 4x/13 (Equivalent to NEMA 12 with the addition of "Oil or Spraying and Splashing") when properly installed in an enclosure
Weight	0.4 kg [0.9 lb] or less (display unit only)
External Dimensions	W132 x H106 x D42 mm [W5.2 x H4.17 x D1.65 in.]
Warranty	Two-year standard (maximum 4 years)

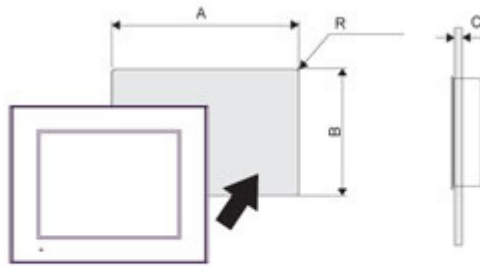
GP-4201TW - External Dimensions

Unit: mm [in.]



GP-4201TW - Cut-Out Dimensions

Unit: mm [in.]



A	B	C	R
118.5 mm (+1, -0 mm) (4.67 in [+0.04, -0 in.])	92.5 mm (+1, -0 mm) (3.64 in. [+0.04, -0 in.])	1.6...5 mm (0.06...0.2 in)	3 mm (0.12 in.) maximum

Ordering Information

Part Number	Description
PFXGP4201TADW	GP-4201TW: 3.5" TFT Color Touchscreen (Analog), QVGA, 2x Serial, 2x USB, 24VDC, UL/CE

Optional Items

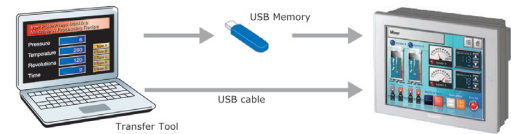
Part Number	Product Name
PFXZCBWG41	Replacement Gasket for 3.5" GP4000 (Qty 1)
CA6-DFS4-01	3.5-inch Screen Protection Sheet
GP-Pro EX (EX-ED-Vx)	Screen and Logic Development Software (ver 3.0 or newer)
PLC Cables & Accessories	See AGP3000 Connectivity Document

Caution: Before operating any of these products, please be sure to read all related manuals thoroughly.

- All product names used in this document are trademarks or registered trademarks of their respective companies.
- All information contained in this document is subject to change without notice.

Easily Transfer Data

Screen data can be updated by using the data transfer tool, even without a software license.



The data transfer tool can be downloaded for free from the Web
<http://www.profaceamerica.com>