

## 7.5" Advanced Multi-Media HMI



**TouchPanel  
Operation**



7.5-inch TFT Color  
Multi-media Operator Interface

**AGP3450T** 7.5-inch

Model: AGP3450-T1-D24

DC 24V

VGA

AUX  
Sound Out

CF Card

Ethernet

Video In

Sound In

**Powered by**









### Features:

- 65,536 Colors, Clear, Bright, High-Resolution TFTDisplay
- 64-bit RISC 266Mhz CPU for Ultra-Fast Screen Refresh and Data Sampling
- No Grid Analog Touch Panel for Improved Visibility and Precise Part Placement
- Supports Up to Four Protocol Drivers Simultaneously
- High Speed Application Transfer, 10 Times Faster than Conventional Operator Interfaces
- 10/100 Base-T Ethernet, USB, Serial (MPI) and CompactFlash™ Communication Interfaces
- Includes Alarm, Buzzer Output, Remote Reset Input
- Direct Video and Audio Input Ports, plus Audio Output

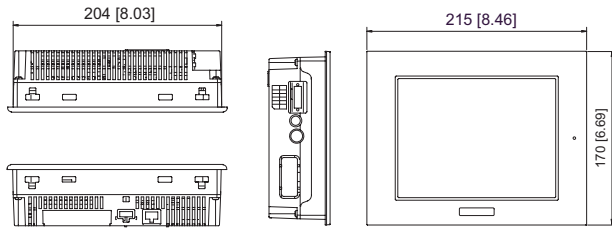
### Specifications

Model	AGP3450-T1-D24
Graphics Display Resolution	640 x 480 pixels
Display Type and Size	TFT Color LCD (7.5 inch)
Display Colors	65,537 Colors
Display Area	153.7mm[6.05in.] x 115.8mm[4.56in.]
Touch Screen	Resistive film analog 1024 x 1024 resolution
USB	1 port USB1.1 Host I/F, USB TYPE-A connector
CF Card	1 slot CompactFlash™, TYPE II
Serial	COM 1: RS-232C/422/485 configurable, 9 pin plug D-sub, Data Transmission Speed: 2400 to 115.2 kbps COM 2: RS-422/485, 9 pin socket D-sub, Data Transmission Speed: 2400 to 115.2 kbps (MPI Direct 187.5 kbps)
Ethernet	Ethernet IEEE802.3, 10BASE-T/100BASE-TX, modular jack connector (RJ-45)
Backlight	User replaceable CCFL (Service life: 54,000 hrs. or more at 25°C (77°F) and 24 hrs. operation)
Brightness and Contrast Controls	8 levels of adjustment available via touch panel
Programming Memory	8MB FEPRAM (< Rev 4), 16MB (Rev 4 and up, using GP-Pro EX V2.6 or later)
Backup Memory	320kb SRAM with battery backup
Video Input Interface	NTSC: 59.9Hz, PAL: 50Hz, Connector: RCA 75Ω
AUX Input/Output	AUX Discrete Output: Alarm Output, RUN Output, Buzzer Output, Rated: DC24V @ 50mA AUX Discrete Input: Remote Reset Input, Rated: DC24V @ 6mA Operating Voltage: ON State: DC9V or greater, OFF State: DC2.5V or less
Sound Input Interface	MIC Input/Line Input (Change with S/W) Connector: MINI-JACK φ3.5mm
Sound Output	Speaker output 70mW (Rated Load: 8ohm, Frequency: 1kHz)

### General Specifications

Input Voltage	DC24V (Rated voltage DC19.2 to 28.8V)
Power Consumption	28W or less
Ambient Operating Temp.	0°C (32°F) to 50°C (122°F)
Storage Temperature	-20°C (-4°F) to 60°C (140°F)
Altitude Endurance	800hPa to 1114hPa (2000 meters or lower)
Certifications	CE, CSA, UL Listed Cl 1 Div 2, RoHS, ATEX
Humidity - Ambient/Storage	10%RH to 90%RH (non-condensing, wet bulb temperature: 39°C (102°F) or less)
Noise Immunity	Noise Voltage: 1000Vp-p Pulse Duration: 1μs Arise Time : 1ns
Cooling Method	Natural air circulation
Electrostatic Discharge Immunity	6kV (complies with EN 61000-4-2 Level 3)
Vibration Resistance	IEC61131-2 compliant. 5Hz to 9Hz single amplitude 3.5mm, 9Hz to 150Hz fixed acceleration 9.8m/s <sup>2</sup> , X,Y, Z directions for 10 times (100min.)
Shock during operation	EN/IEC 60068-2-2 compliant, 147m/Sec, 11msec (Approx. 15G), 3 shocks to 3 direction/ axis
Rating	Equivalent to IP65f, Nema #250 Type 4x/13 (Equivalent to NEMA 12 with the addition of "Oil or Spraying and Splashing")
Weight	1.8kg (4.0lb) or less
External Dimensions	W215mm[8.46in.] x H170mm [6.69in.] x D60mm [2.36in.]
Warranty	Two-year standard (maximum 4 years)

## AGP3450T - External Dimensions



AGP-3400T(DC type) unit shown.

## Ordering Information

Part Number	Description
AGP3450-T1-D24	7.5" TFT, 2 Serial, USB, Sound, Video, Ethernet, 24VDC

## Optional Items

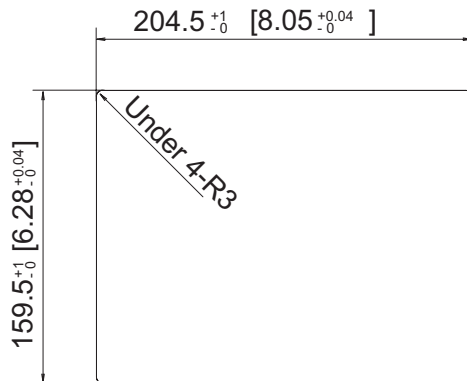
Part Number	Product Name
HMI-CAB-ETH	Ethernet Crossover Cable: HMI to PLC Ethernet port or to program HMI
CA3-USBCB-01	USB download cable, PC USB port to AGP USB port
PS400-DF00	Screen Protection Sheet (5 sheets/set)
GP-Pro EX (EX-ED-Vx)	Screen and Logic Development Software
PLC Cables & Accessories	See AGP3000 Connectivity Document

**Caution:** Before operating any of these products, please be sure to read all related manuals thoroughly.

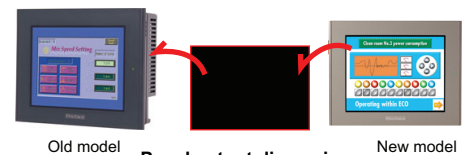
- All product names used in this document are trademarks or registered trademarks of their respective companies.
- All information contained in this document is subject to change without notice.

## AGP3450T - Cut-Out Dimensions

Unit: mm [in.]



## Cut-Out Compatibility

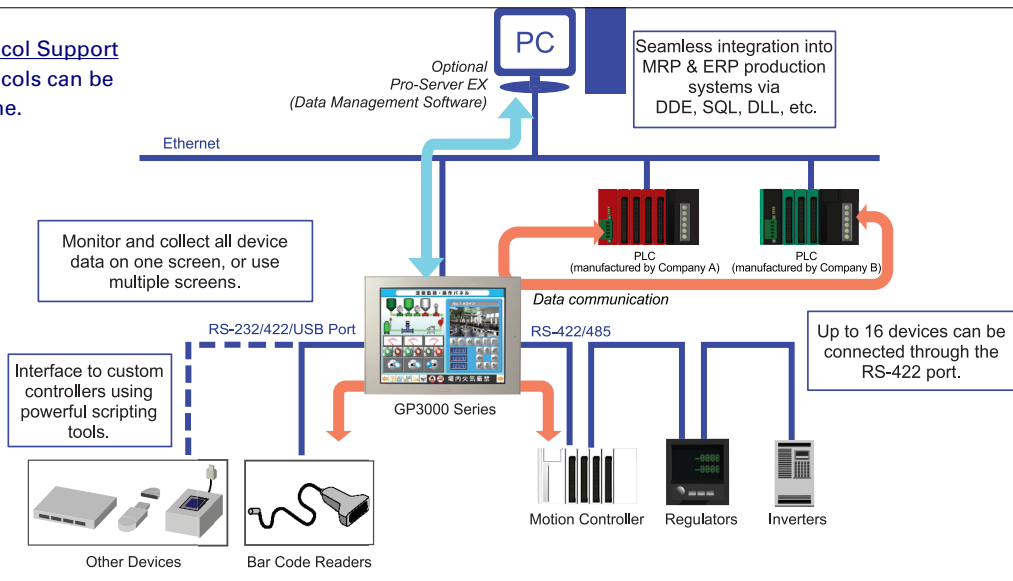


### Panel cutout dimensions

Series name	Size	204.5x159.5 mm
GP77R Series	—	
GP2000 Series	GP2400/01 Series	
GP3000 Series	GP-3400 Series	

## Simultaneous Multi-Protocol Support

Up to four different protocols can be active at one time.



**Pro-face America**  
 Phone: 734.429.4971  
 Fax: 734.429.1010  
 www.profaceamerica.com  
 DS-AGP3450T(C)

**Customer Service Hotline: 734.944.0482**

For more information  
**ACCESS** www.profaceamerica.com

**Pro-face**  
 Human Machine Interface