

M-3iA Large Genkotsu (fist) Robot

PAYLOAD: 6.0KG

THE M-3iA ROBOT IS DESIGNED TO MAXIMIZE SPEED AND FLEXIBILITY FOR ASSEMBLY, SMALL PART HANDLING AND PICKING. A UNIQUE PARALLEL-LINK STRUCTURE AND EXTREMELY LARGE WORK ENVELOPE MAKES IT POSSIBLE TO AUTOMATE A VARIETY OF APPLICATIONS THAT TRADITIONAL SERIAL-LINK OR SCARA ROBOTS ARE UNABLE TO PERFORM.



Two M-3iA models are available to automate a variety of operations:

- M-3iA/6A (6-axis type)

The extreme flexibility offered by the three-axis wrist enables the robot to pick up and insert parts at simple or compound angles, and twist parts into place, similar to the flexibility offered by a manual operator.

- M-3iA/6S (4-axis type)

A single-axis wrist offers speeds up to 4000 degrees/second and is ideal for high-speed picking and kitting. A hollow wrist allows hoses and cables to be routed internally, which minimizes wear and tear on the tooling cables.

Standard and Food Grade configurations:

The M-3iA/6S and M-3iA/6A are available in standard or food grade configurations. An IP67 rating allows installation in dirty/dusty environments; the food grade robot can withstand complete wash-down settings.

FEATURES AND BENEFITS:

- iRVision and FANUC force control are supported on both models.
- Unique parallel-link design maximizes speed and acceleration.
- Higher speed and acceleration reduces number of robots needed for an application, condensing overall footprint of a manufacturing system.
- Six-axis design (three-axis wrist) enables part feeding from the sides of a work zone, increasing the useable workspace.
- Four-axis design (single-axis wrist) moves parts at extremely high speeds.
- Food option with food-grade grease features a special coating to handle acid and alkaline disinfectants, and low-pressure rinsing.
- Ability to work with primary (unpackaged) or secondary (packaged) food products.
- Robot Link controls and coordinates up to ten robots through a network exchange of robot positional data.
- Detachable color-graphic iPendant or monochrome pendant can be shared between multiple robots on the same assembly line.
- New R-30iA Mate three-phase rack-style controller provides intelligent robot function with a compact controller footprint.



Ideal for both simple and complex assembly



Powerful and compact R-30iA Mate controller



A single-axis wrist moves parts extremely fast

FANUC
Robotics

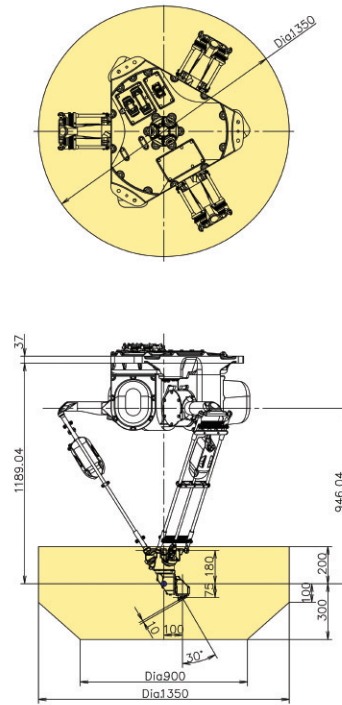
*i*ntelligent **ROBOT** solutions

M-3*i*A Large Genkotsu (fist) Robot

ceiling



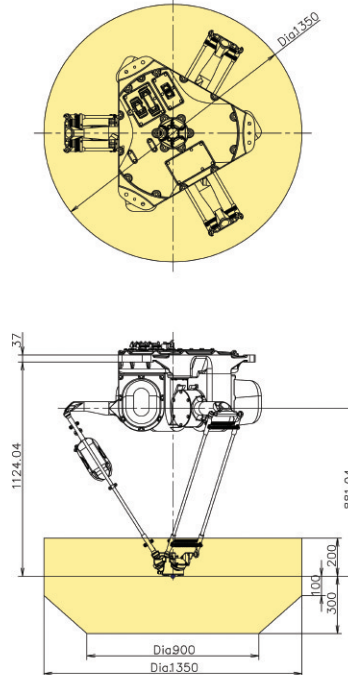
M-3*i*A DIMENSIONS: FANUC ROBOT M-3*i*A/6A



M-3*i*A SERIES SPECIFICATIONS:

ITEMS	M-3 <i>i</i> A/6A	M-3 <i>i</i> A/6S
Axes	6	4
Payload - wrist (kg)	6	6
Reach (mm)	Dia. 1350, Ht. 500	Dia. 1350, Ht. 500
Repeatability (mm)	±0.1	±0.1
Wrist motion range (degrees)	J4	720
	J5	300
	J6	720
Wrist speed ⁽¹⁾ (degrees / seconds)	J4	2000
	J5	2000
	J6	2000
Mechanical weight (kg)	175	160
Mounting method	Ceiling	
Installation environment		
Ambient temperature °C	0 to 45	
Humidity	Normally: 75% or less Short term (within a month): 95% or less No condensation	
Vibration (G)	0.5 or less	
IP rating	IP67	
Controller	R-30 <i>i</i> A Mate compact rack mount 370 (W) x 355 (H) x 450 (D) 200-230VAC three phase, 50-60 Hz	

FANUC ROBOT M-3*i*A/6S



Notes:
(1) Maximum speed may not be reached for short distance motion



FANUC ROBOTICS AMERICA
3900 WEST HAMLIN ROAD
ROCHESTER HILLS MI 48309-3253



MARKETING@FANUCROBOTICS.COM FANUCROBOTICS.COM 1-800-*i*Q-ROBOT

©2010 FANUC Robotics America Corporation. All rights reserved.

FANUC ROBOTICS LITHO IN U.S.A. FRA - 10/10