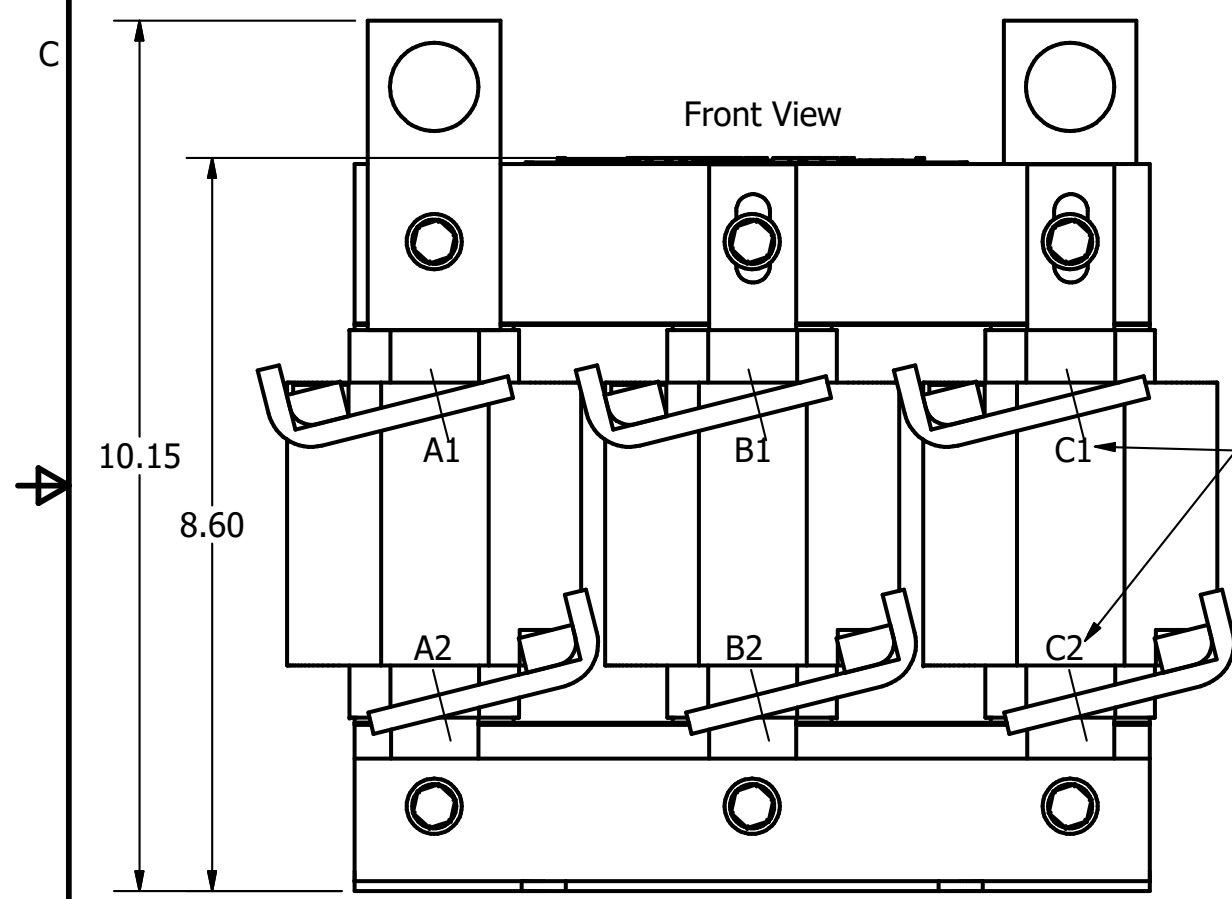


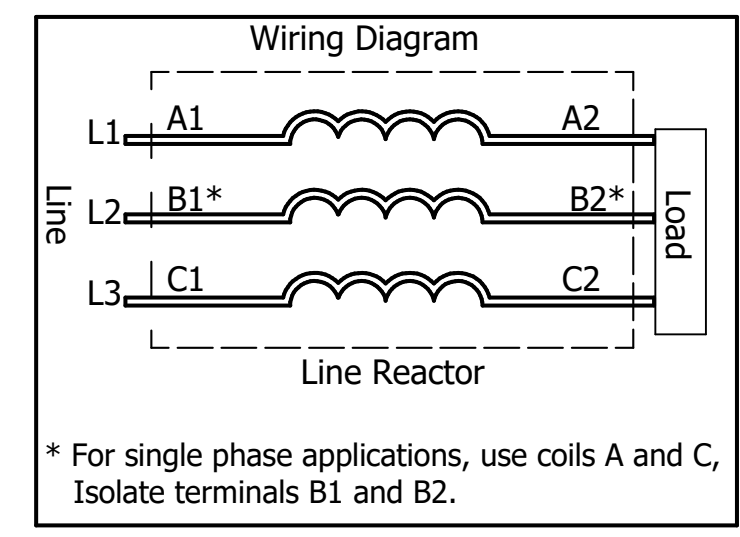
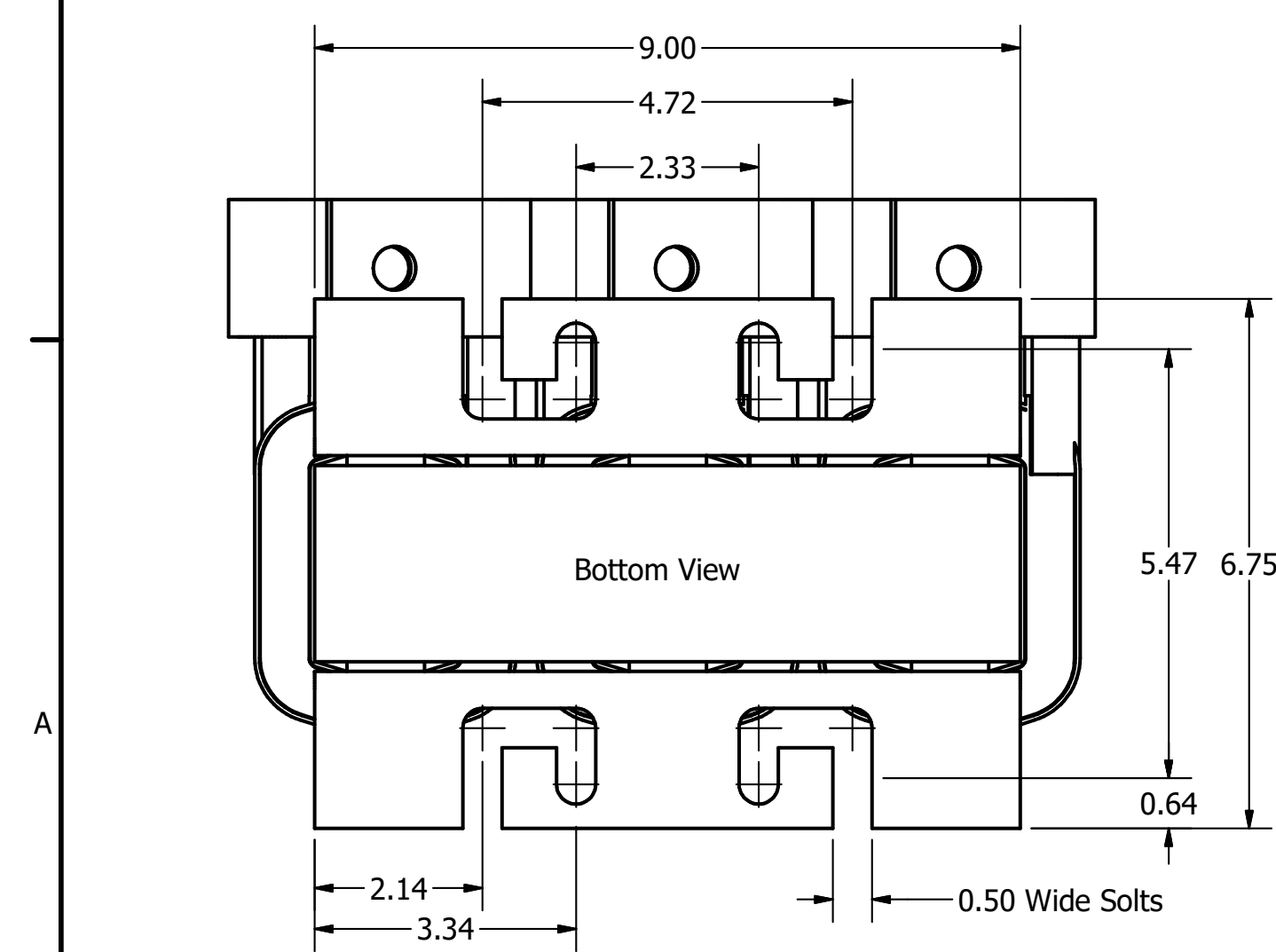
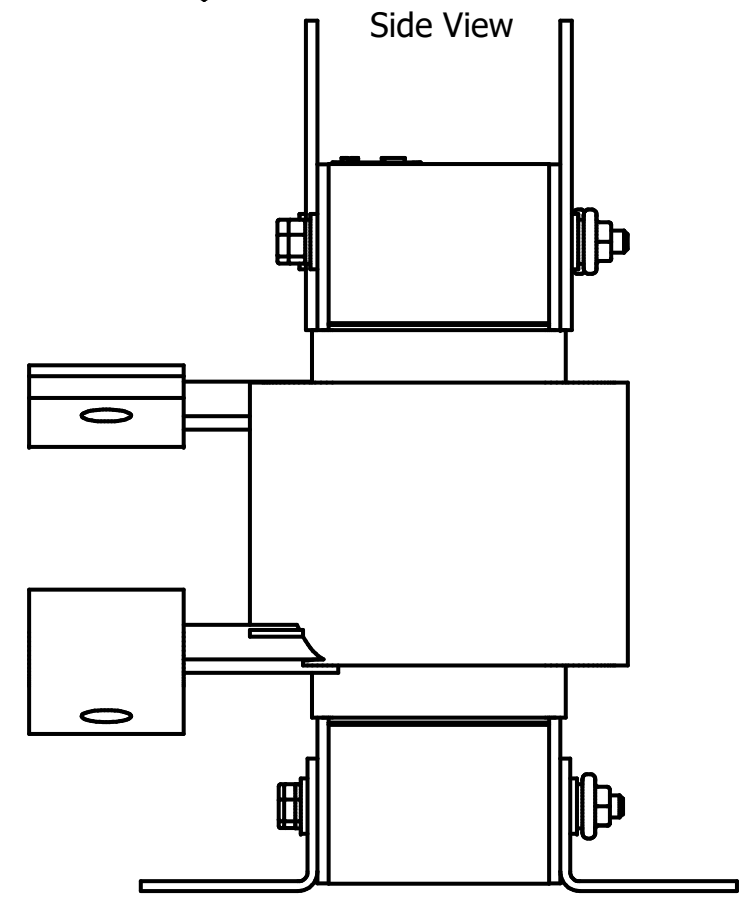
208/240 Rated Voltage, 600 Max Voltage, Low Z, Impedance.								
Part Number	Horsepower (HP)	Motor Amps (A)	Maximum Amps (A)	Inductance (uH)	Weight (LBS)	Available Lug Kit	Terminal Hole Size (Inches)	Losses (W)
KDRG22L	125	343	377	32.2	65	SLK13	0.56	370

208/204 Rated Voltage, 600 Max Voltage, High Z, Impedance.								
Part Number	Horsepower (HP)	Motor Amps (A)	Maximum Amps (A)	Inductance (uH)	Weight (LBS)	Available Lug Kit	Terminal Hole Size (Inches)	Losses (W)
KDRG25H	125	343	350	50.5	65	SLK13	0.56	347

480 Rated Voltage, 600 Max Voltage, Low Z, Impedance.								
Part Number	Horsepower (HP)	Motor Amps (A)	Maximum Amps (A)	Inductance (uH)	Weight (LBS)	Available Lug Kit	Terminal Hole Size (Inches)	Losses (W)
KDRG1L	250	302	340	65.4	65	SLK13	0.56	337
KDRG2L	300	361	370	56.5	65	SLK13	0.56	381



(Customer Connections) Markings On Coils For Reference Only.



* For single phase applications, use coils A and C, Isolate terminals B1 and B2.

TGI (800) 824-8282 transcoil.com

KDRUL Drive Reactor
 KDR- Motor Amps ---
 3PH, 50/60Hz, ---V Rated, 600V Max, -A Max
 40C Amb Max, 153C Rise, RoHS
 Manual #30895 LUG KIT #SLK---

UL LISTED CE
 2ND CONT. EQ. MARK

DATE CODE A1 A2 B1 B2 C1 C2

- Notes:
1. KDR Lug Kits sold separately. Contact TCI.
 2. For KDRUL Version With Terminal Lugs Attached, See Sheet 6
 3. UL file number: cULus Listed File E116124.
 4. KDR Drive Reactors Comply With The Thermal and Altitude Standards Set Forth by NEMA ST20-1992.
 5. KDR IOM Manual Part Number 30895
 6. NEC Current For 208/240 Volts, Horsepower Based On 208 Volts.
 7. Material(s) Shall be RoHS Compliant
 8. Customer Is Responsible For Installation To Meet All National And Local Electrical Codes.

TCI, LLC CLAIMS PROPRIETARY RIGHTS IN THE MATERIAL HEREIN DISCLOSED. IT IS SUPPLIED WITHOUT PREJUDICE TO ANY PATENT RIGHTS OF TCI AND MAY NOT BE REPRODUCED OR USED TO MANUFACTURE ANYTHING SHOWN THEREIN WITHOUT WRITTEN PERMISSION FROM TCI.				TOLERANCES (EXCEPT AS NOTED) DECIMAL XX ± .25 .XXX ± .10 FRACTIONAL ± 1/16 ANGULAR ± 1°		W132 N10611 Grant Drive Germantown, WI 53022 KDR G Frame, Copper Bus, Reactor Drawing DRN BY DSJ DATE: 3/16/18 107533DG SCALE: 1/2.3 APRVD: SIZE C SHT. 5 OF 6	
NO.	REVISION	DATE	BY				