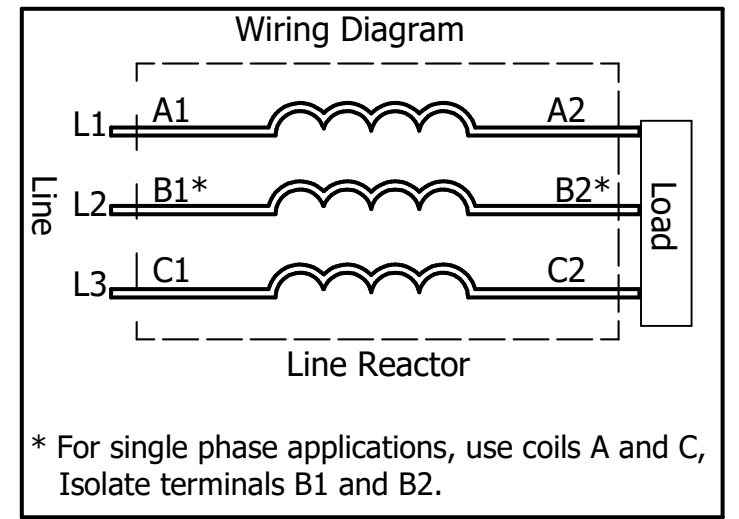
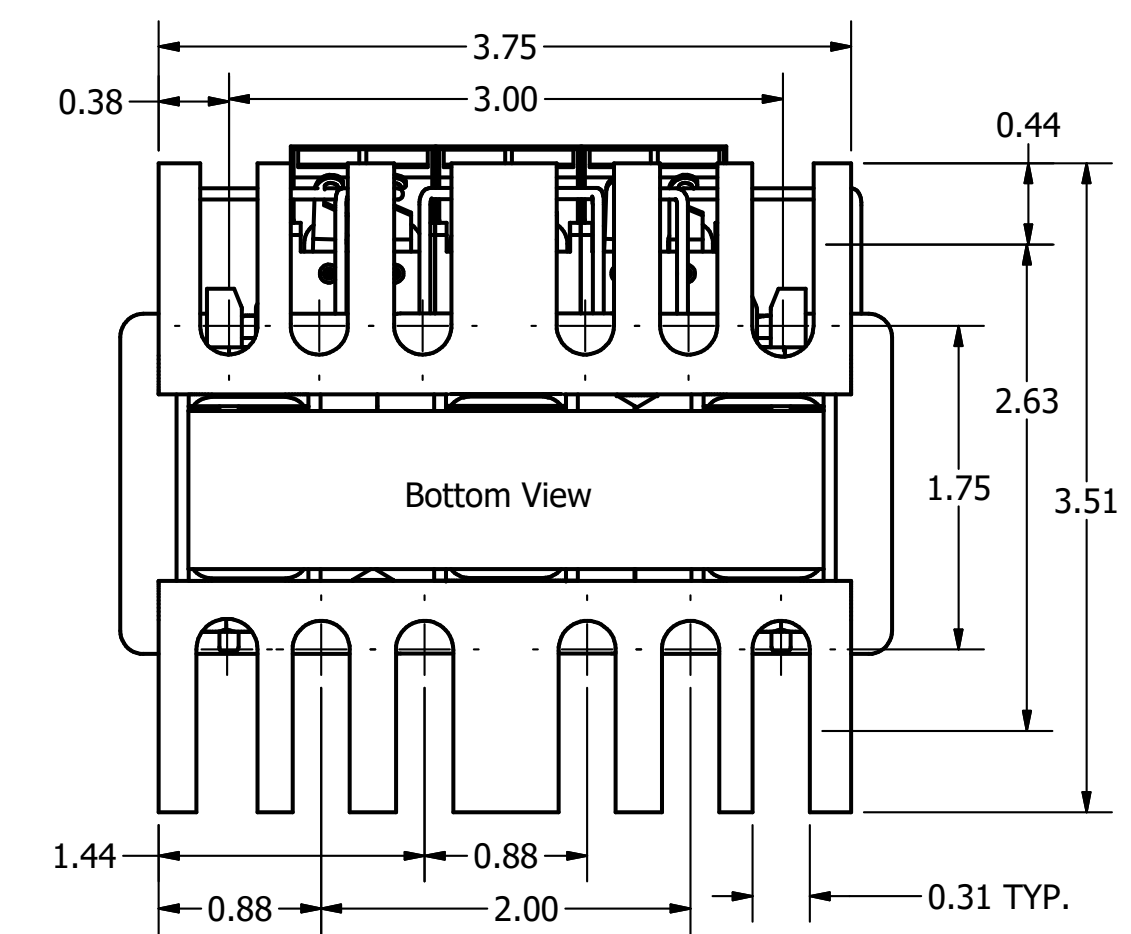
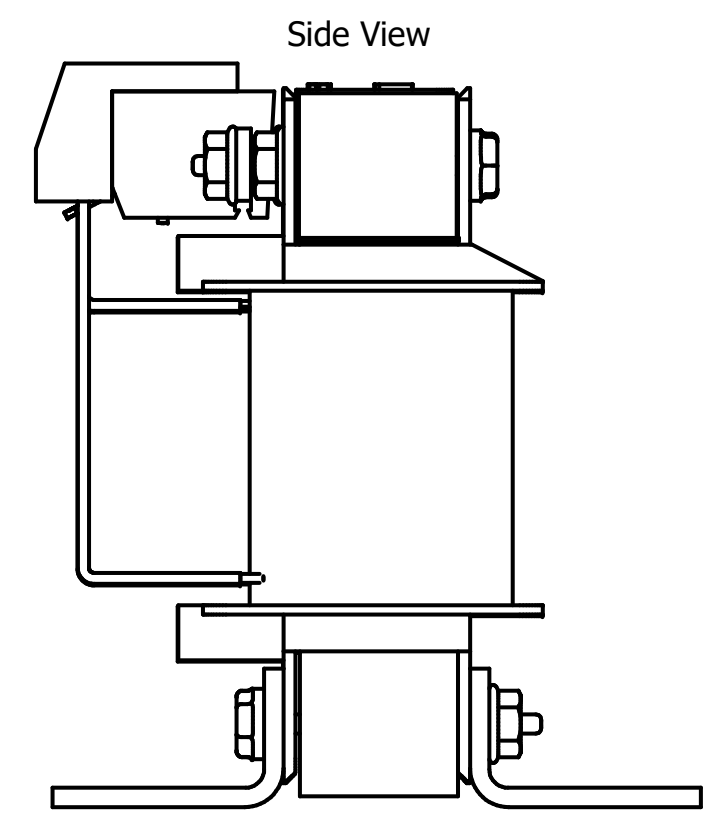
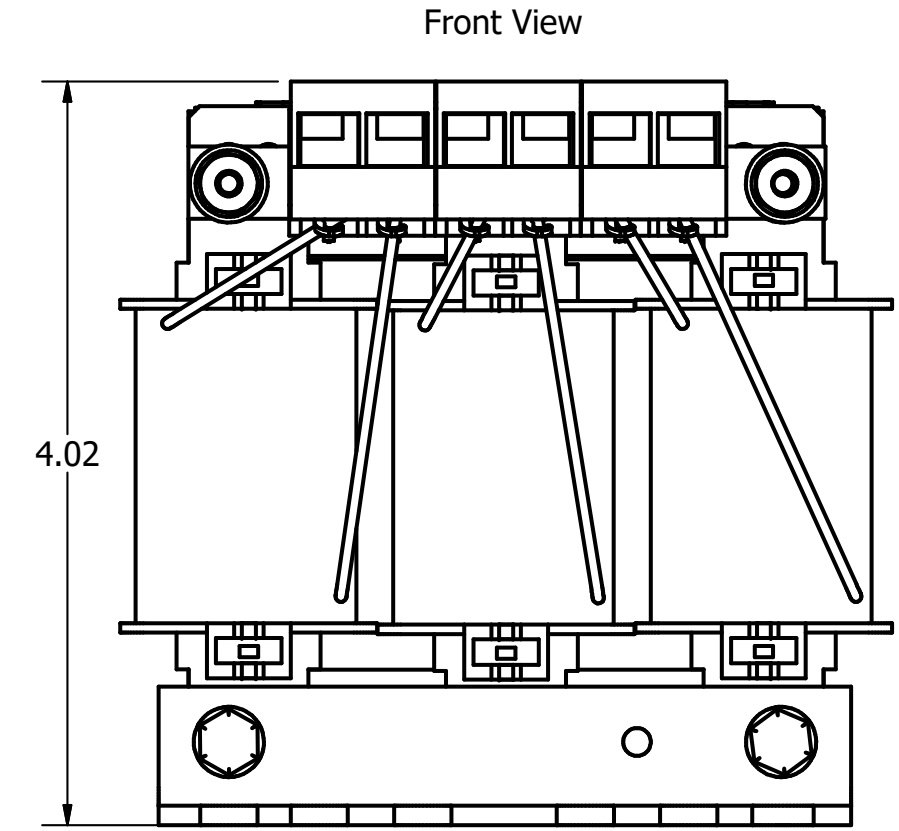


(Customer Connections) Markings On Terminal Block For Reference Only.
 Wire Range: 18-12 AWG.
 Torque : 10 IN-LBS (1.1 Nm)



208/240 Rated Voltage, 600 Max Voltage, High Z, Impedance.

Part Number	Horsepower (HP)	Motor Amps (A)	Maximum Amps (A)	Inductance (uH)	Weight (LBS)	Losses (W)
KDRA54H	1/2	2.4	3	7040	4	14
KDRA53H	3/4	3.5	5	4900	4	17
KDRA25H	1	4.6	5	3750	4	24
KDRA27H	1 1/2	6.6	7.5	2750	4	31
KDRA26H	2	7.5	10	2310	4	31
KDRA28H	3	10.6	11	1570	4	43

480 Rated Voltage, 600 Max Voltage, High Z, Impedance.

Part Number	Horsepower (HP)	Motor Amps (A)	Maximum Amps (A)	Inductance (uH)	Weight (LBS)	Losses (W)
KDRA6H	1/2	1.1	1.5	28400	4	9
KDRA7H	3/4	1.6	1.6	19525	4	15
KDRA8H	1	2.1	2.1	14878	4	12
KDRA9H	1 1/2	3	3	10414	4	23
KDRA1H	2	3.4	4	10300	4	33
KDRA2H	3	4.8	6	7290	4	38
KDRA3H	5	7.6	8	3980	4	80
KDRA4H	7 1/2	11	12	3000	5	77
KDRA5H	10	14	14	2232	5	111

575 Rated Voltage, 600 Max Voltage, High Z, Impedance.

Part Number	Horsepower (HP)	Motor Amps (A)	Maximum Amps (A)	Inductance (uH)	Weight (LBS)	Losses (W)
KDRA55H	1/2	0.9	1.5	51900	4	8
KDRA52H	3/4	1.3	1.6	37100	4	13
KDRA50H	1	1.7	2.1	29400	4	17
KDRA51H	1 1/2	2.4	2.8	20600	4	26
KDRA43H	2	2.7	3.2	17900	4	23
KDRA44H	3	3.9	5	12000	4	34
KDRA45H	5	6.1	7.5	7580	4	47

480 Rated Voltage, 600 Max Voltage, Output

Part Number	Horsepower (HP)	Motor Amps (A)	Maximum Amps (A)	Inductance (uH)	Weight (LBS)	Losses (W)
KDRA1P	2	3.4	4	3190	4	9
KDRA2P	3	4.8	6	1700	4	9
KDRA3P	5	7.6	8	1410	4	14
KDRA4P	7 1/2	11	12	863	5	20

208/240 Rated Voltage, 600 Max Voltage, Low Z, Impedance.

Part Number	Horsepower (HP)	Motor Amps (A)	Maximum Amps (A)	Inductance (uH)	Weight (LBS)	Losses (W)
KDRA54L	1/2	2.4	3	4200	4	7
KDRA53L	3/4	3.5	4.2	3000	4	12
KDRA25L	1	4.6	5.5	2460	4	11
KDRA26L	1 1/2	6.6	8	1650	4	18
KDRA27L	2	7.5	10	1350	4	21
KDRA28L	3	10.6	12	971	4	29

480 Rated Voltage, 600 Max Voltage, Low Z, Impedance.

Part Number	Horsepower (HP)	Motor Amps (A)	Maximum Amps (A)	Inductance (uH)	Weight (LBS)	Losses (W)
KDRA6L	1/2	1.1	1.5	16300	4	5.6
KDRA7L	3/4	1.6	1.6	11716	4	10
KDRA8L	1	2.1	2.1	8927	4	10
KDRA9L	1 1/2	3	3	6248	4	17
KDRA1L	2	3.4	6.4	5790	4	19
KDRA2L	3	4.8	6	4270	4	23
KDRA3L	5	7.6	9.6	2770	4	49
KDRA4L	7 1/2	11	14	1680	4	40
KDRA5L	10	14	14	1290	5	64

575 Rated Voltage, 600 Max Voltage, Low Z, Impedance.

Part Number	Horsepower (HP)	Motor Amps (A)	Maximum Amps (A)	Inductance (uH)	Weight (LBS)	Losses (W)
KDRA55L	1/2	0.9	1.5	30300	4	6
KDRA56L	3/4	1.3	2.1	21200	4	9.3
KDRA50L	1	1.7	2.1	15900	4	12
KDRA51L	1 1/2	2.4	2.8	10200	4	19
KDRA46L	2	2.7	3.3	9290	4	22
KDRA52L	3	3.9	5	6740	4	23
KDRA47L	5	6.1	7	4510	4	35
KDRA48L	7 1/2	9	10.4	3100	4	43
KDRA49L	10	11	11	2470	5	44

575 Rated Voltage, 600 Max Voltage, Output

Part Number	Horsepower (HP)	Motor Amps (A)	Maximum Amps (A)	Inductance (uH)	Weight (LBS)	Losses (W)
KDRA31P	2	2.7	4	3370	4	9
KDRA35P	3	3.9	4	3150	4	9
KDRA33P	5	6.1	8	1430	4	14
KDRA34P	7 1/2	9	12	991	5	20
KDRA36P	10	11	12	936	5	20

TCI (800) 824-8282 transcoil.com
 TCI, LLC
 Germantown, WI, USA.
transcoil.com
 800-824-8282

KDRUL Drive Reactor
 KDR- Motor Amps ---
 3PH, 50/60Hz, ---V Rated, 600V Max, ---A Max, RoHS
 40C Amb Max, 135C Rise
 Manual #30895

UL LISTED CE
 500 0000 10 0000

DATE CODE A1 B1 C1

- Notes:
- For KDRUL Version, See Sheet 2
 - UL file number: cULus Listed File E116124.
 - KDR Drive Reactors Comply With The Thermal and Altitude Standards Set Forth by NEMA ST20-1992.
 - KDR IOM Manual Part Number 30895
 - NEC Current For 208/240 Volts, Horsepower Based On 208 Volts.
 - Material(s) Shall be RoHS Compliant
 - Customer Is Responsible For Installation To Meet All National And Local Electrical Codes.

TCI, LLC CLAIMS PROPRIETARY RIGHTS IN THE MATERIAL HEREIN DISCLOSED. IT IS SUPPLIED WITHOUT PREJUDICE TO ANY PATENT RIGHTS OF TCI AND MAY NOT BE REPRODUCED OR USED TO MANUFACTURE ANYTHING SHOWN THEREIN WITHOUT WRITTEN PERMISSION FROM TCI.

NO	REVISION	DATE	BY
A	Combined Drawings	1/22/18	DSW

TOLERANCES (EXCEPT AS NOTED)
 DECIMAL
 .XX ± .25
 .XXX ± .10
 FRACTIONAL
 ± 1/16
 ANGULAR
 ± 1°

TCI W132 N10611 Grant Drive
 Germantown, WI 53022

KDR A Frame, Terminal Block
 Reactor Drawing

DRN BY: DSW DATE: 1/22/18 107423DG
 SCALE: 1:1 APRVD: SIZE: C
 SHT. 1 OF 2